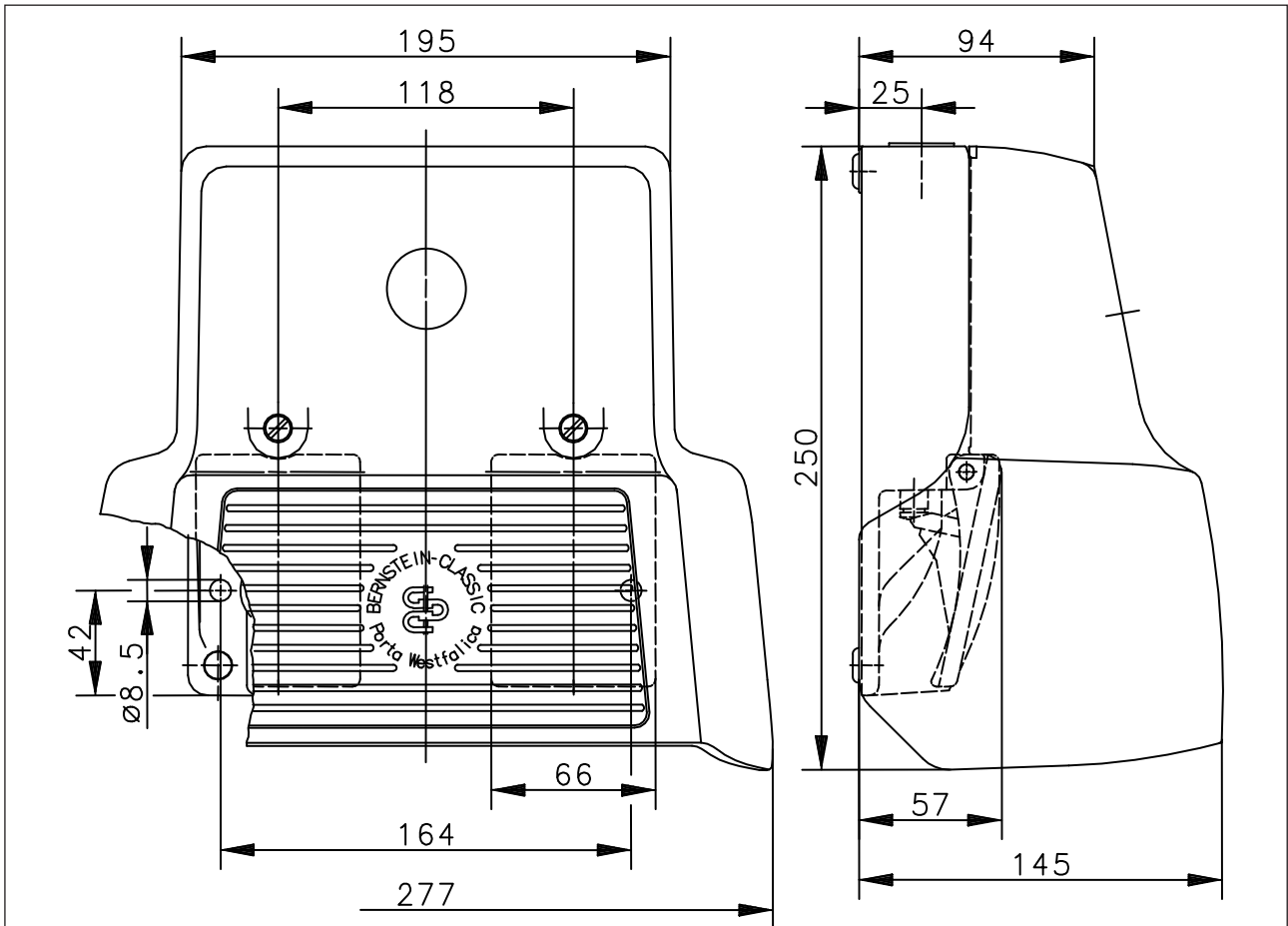


**Foot-switch**  
Series F2 UN

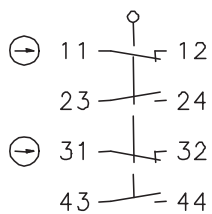
Description **F2-U2Z/U2Z UN**

Article number **6162720711**

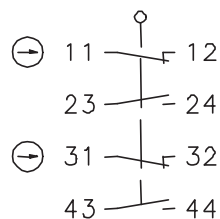


**Switching symbol**

Pedal left



Pedal right



Electrical Data		
		Built-in switch
Rated insulation voltage	$U_i$	400 V AC
Conv. thermal current	$I_{the}$	10 A
Rated operational voltage	$U_e$	240 V
Utilization category		AC-15, $U_e / I_e$ 240 V AC / 3 A
Direct opening action	⌚	acc. to IEC/EN 60947-5-1, annex K
Short-circuit protective device		Fuse 10 A gG
Protection class		I

Mechanical data	
Enclosure	AL, die-cast
Protective guard (Accident protection cover UN)	AL, die-cast
Actuator	Foot lever (PA)
Ambient air temperature	-25 °C to +80 °C
Contact type	4 NC, 4 NO. (Zb)
Operating force (pedal centre)	10 N
Mechanical life	10 x 10 <sup>6</sup> operating cycles
Switching frequency	max. 50/min
Assembly	2 x M8
Connection	screw connections (M3,5)
Number of connection	16
Protection ground	2 x M4
Conductor cross-sections	Solid: 0,5 ... 1,5 mm <sup>2</sup> Litz wire with ferrules: 0,5 ... 1,5 mm <sup>2</sup>
Cable entrance	1 x M20 x 1,5
Weight	≈ 2,63 kg
Protection type	IP67 in accordance with IEC/EN 60529

ID for safety engineering	
B10d	20 x 10 <sup>6</sup> cycles

Regulations	
	VDE 0660 T100, DIN EN 60947-1, IEC 60947-1
	VDE 0660 T200, DIN EN 60947-5-1, IEC 60947-5-1
	DIN EN ISO 13849-1

EU Conformity	
	acc. to directive 2014/35/EU

Notes	
Unused threaded holes and openings for fitted parts are to be permanently closed with blanking plugs or with the appropriate fitted inserts.	
The degree of protection specified (IP code) applies only to a properly closed protective guard and the use of an equivalent cable gland with adequate cable, blanking plugs, fitted inserts or sealing plugs.	