

# TCPDE

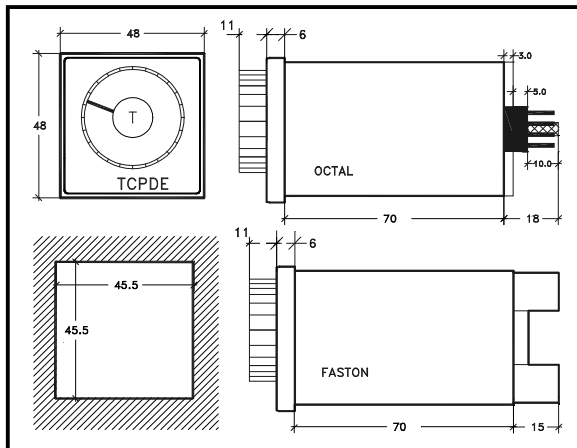
## ANALOGUE TEMPERATURE REGULATOR

- ON/OFF
- PD
- 48 x 48 mm 



MECHANICAL CHARACTERISTICS		TCPDE	
Housing	Self-extinguishing plastic, UL 94 V0		
Dimensions	48x48 mm (1/16 DIN) – depth 89 mm		
Weight	200 g approx.		
Connections	6,3 mm Faston terminals or Octal socket		
Mounting	Flush in panel in 45,5x45,5 mm hole		
Front panel protection	IP 54 mounted in panel with gasket		
ELECTRICAL DATA			
Power supply	24...240 VAC +/-10%		
AC Frequency	50 / 60 Hz		
Power consumption	3 VA approx.		
INPUT DATA			
Thermocouple	J, K – According to IEC 584-2 accuracy class 1 or 2		
Thermoresistance	Pt 100 IEC – According to IEC 751 accuracy class A or B		
OUTPUT DATA			
Relay output	8A, 250VAC – AC1		
Voltage output for SSR driving	20 mA at 24 VDC		
FUNCTIONAL DATA			
Control	ON/OFF, PROPORTIONAL		
Overall accuracy	Tc : +/-2% fs; Pt100 : +/-1% fs		
Measurement range	Depending on the probe and range used. Range available from 100 to 1200°C.		
	SCALES :		
	0 ... 100°C	0 ... 1100°C	
	0 ... 200°C	0 ... 1000°C	
	0 ... 250°C	0 ... 1200°C	
	0 ... 350°C		
	0 ... 600°C		
Measurement unit	°C		
Operating temperature	0...50°C		
Operating humidity	30...95 RH% without condensation		

## DIMENSIONS (mm)

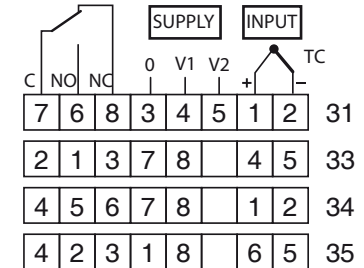


## CONNECTIONS

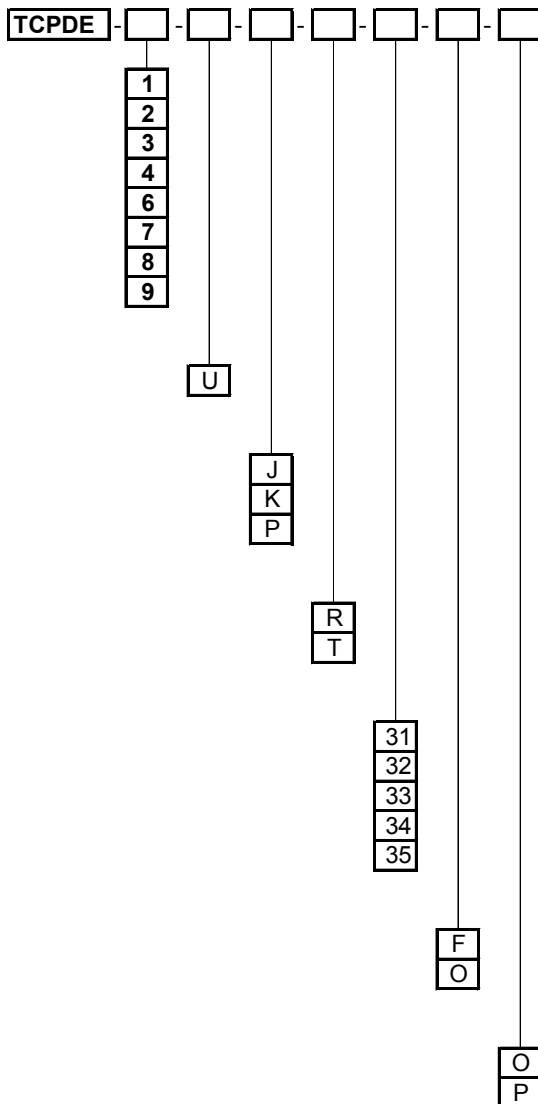
SSR: 20 mA at 24 VDC



Relay: 8A - AC1 (3A - AC3)  
250 VAC



## CODING



Range
0...100°C
0...200°C
0...350°C
0...600°C
0...1000°C
0...1200°C
0...250°C
0...1100°C

Power supply
24...240 V AC

Input Signal
Thermocouple J
Thermocouple K
RTD Pt100*

Output
Relais
0/24 V DC (SSR)

Wiring diagramm
diagramm 31
diagramm 32
diagramm 33
diagramm 34
diagramm 35

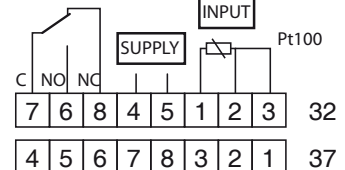
Connection
Faston
Octal socket

Control mode
ON/OFF
PD

SSR: 12 VDC; 20 mA



Relay: 8A - AC1 (3A - AC3)  
250 VAC



\* Pt100 max. 350 °C