

ElectroCraft's MP36 MobilePower™ geared motor is one of our extensive range of purpose designed, fully customizable mobility motors. The MP36 is a four-pole motor delivering smooth, precise and highly controllable power. Its high starting torque and energy-efficiency provide class-leading rough terrain and curb-climbing performance. Available with a wide range of IP ratings, the MP36 is an ideal solution for most mobility applications.

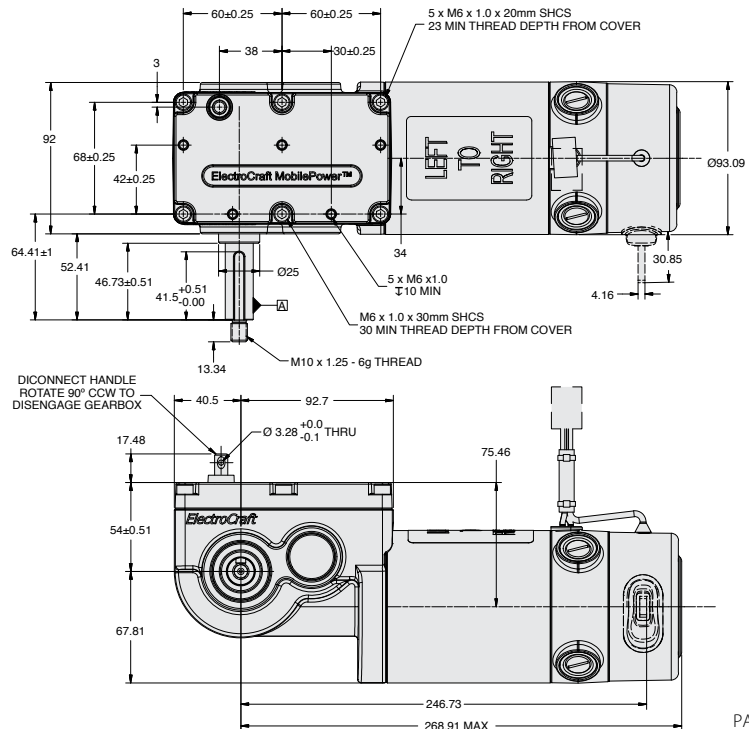
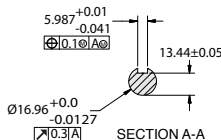
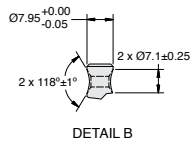
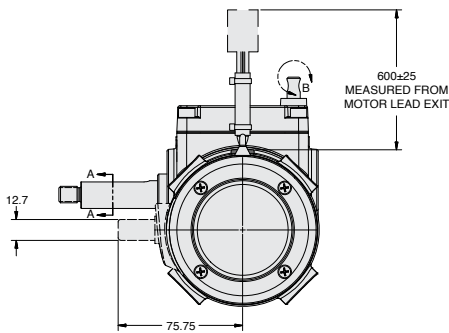
Features:

- Very energy efficient.
- High starting torque.
- Long battery life.
- Smooth, quiet and reliable.
- Controllable variable speed operation.
- Available with a range of IP ratings.



M P 3 6 - W R 0 2 1 V 2 4 - 2 0 0 - X

<p>MTR-GRB Model MP36 = Standard Duty Gearbox with PMDC 4-Pole</p> <p>Gearbox Option ...</p> <p>WR = Right Angle Worm & Spur W/ Right Hand Output Shaft</p> <p>WL = Right Angle Worm & Spur W/ Left Hand Output Shaft</p>	<p>Gear Ratio</p> <p>016 = 16.44:1 018 = 17.88:1 020 = 19.50:1 021 = 21.33:1 025 = 24.67:1 027 = 26.82:1 029 = 29.25:1 032 = 32.00:1</p> <p>Disengage Option ...</p> <p>2 = No Gear Release, Manual Release Brake</p> <p>4 = Gear Release, Std Brake (No Manual Release)</p>	<p>Rated Voltage</p> <p>24 = 24 VDC</p>	<p>Encoder Option X = None</p> <p>Connector Option</p> <p>0 = None 5 = Dynamic Controls Shark 6 = PG R-net Drive 7 = Anderson Powerpole 8 = PG VR2 Drive 9 = Curtis enAble Drive</p> <p>Lead Option</p> <p>0 = Unshielded Leads Covered with Braided Sleeving</p>
---	--	--	--



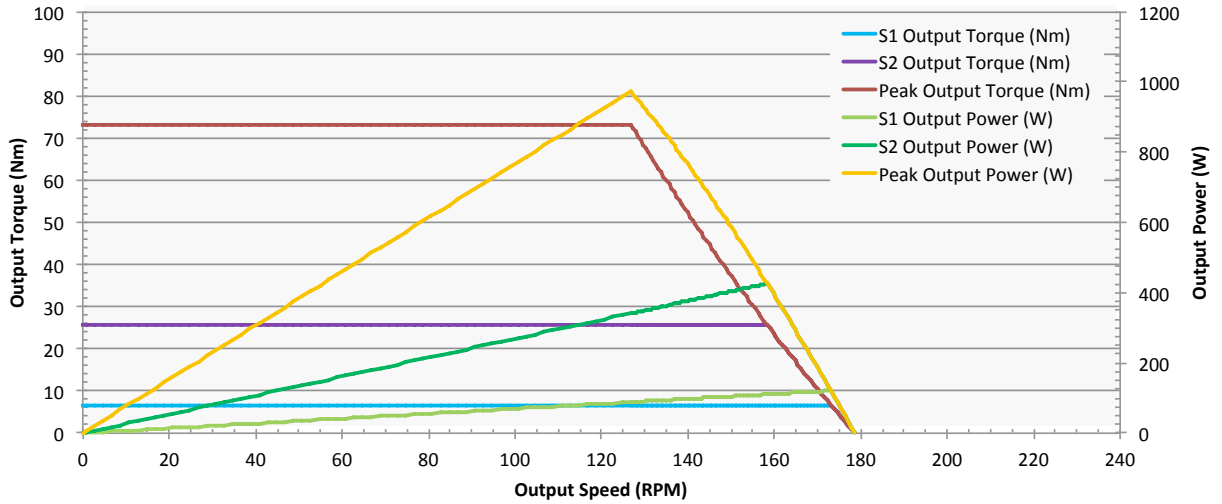
MP36 ElectroCraft MobilePower™

Geared Motor

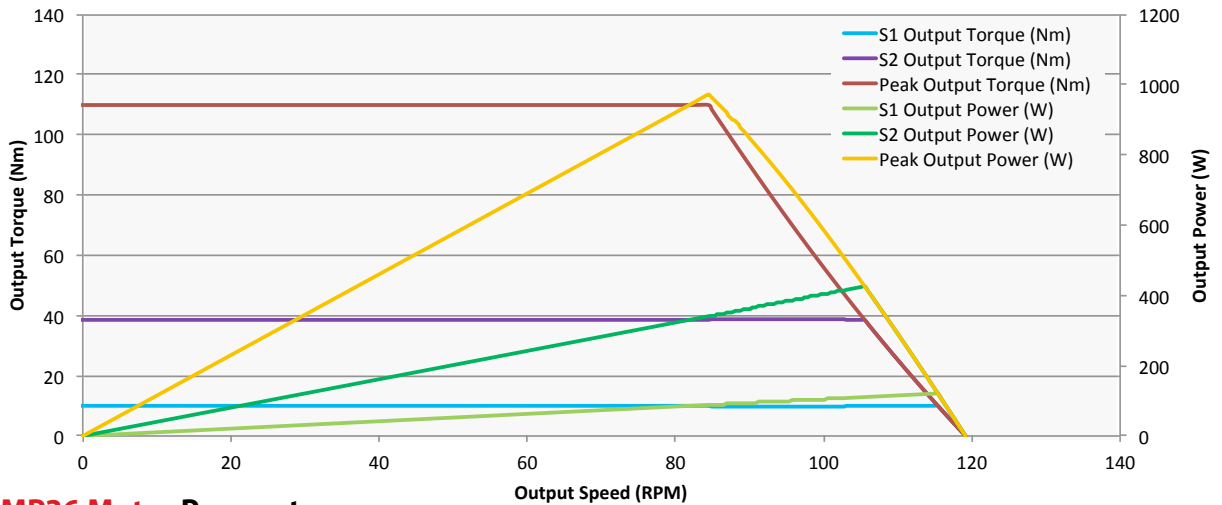
Low Voltage - High Torque



MP36 Motor Performance with 21.33:1 Ratio



MP36 Motor Performance with 32.00:1 Ratio



MP36 Motor Parameters

Gear Ratio	32.00:1	29.25:1	26.82:1	24.67:1	21.33:1	19.50:1	17.88:1	16.44:1
S2 Torque (15 min) (Nm)	38.6	35.2	32.3	29.7	25.7	23.5	21.6	19.8
Torque Constant (Nm/A)	0.05918	0.05918	0.05918	0.05918	0.05918	0.05918	0.05918	0.05918
Max Torque (Nm)	108.5	99.2	90.9	83.6	72.3	66.1	60.6	57.7
Operational Voltage (Volts DC)	24	24	24	24	24	24	24	24
Nominal Speed at 24 VDC (RPM)	115	126	138	130	173	179	200	228
Back EMF Constant (V/KRPM)	6.2	6.2	6.2	6.2	6.2	6.2	6.2	6.2
Motor Mass (kg)	6.26	6.26	6.26	6.26	6.26	6.26	6.26	6.26
Motor Inertia (Armature) (kg.mm ²)	1386.10	1386.10	1386.10	1386.10	1386.10	1386.10	1386.10	1386.10
Motor Winding Resistance (Ohms)	0.3	0.3	0.3	0.3	0.3	0.3	0.3	0.3
Motor Winding Inductance (μH)	79	79	79	79	79	79	79	79
Motor Max Winding Temp (°C)	155	155	155	155	155	155	155	155
Motor Poles	4 Poles							
Max Motor Current (A)	80							
S2 motor power (15 min) (W)	425							
Max Motor Power (Watts)	850							

Continuous rating based on nominal operating voltage 24 VDC.



Your Genius. Our Drive.

ElectroCraft, Inc.
2 Marin Way, Suite 3
Stratham, NH 03885-2578 USA

Tel: (844) 565-6144

Email: sales@electrocrafter.com
www.electrocrafter.com