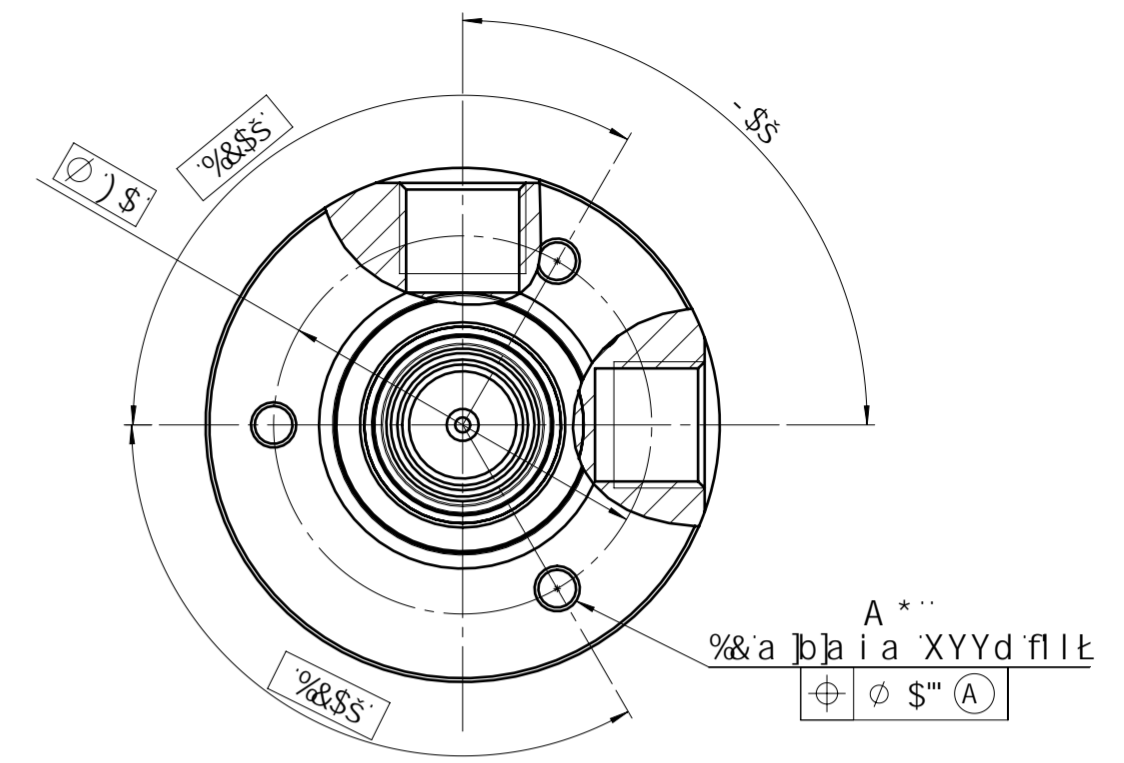
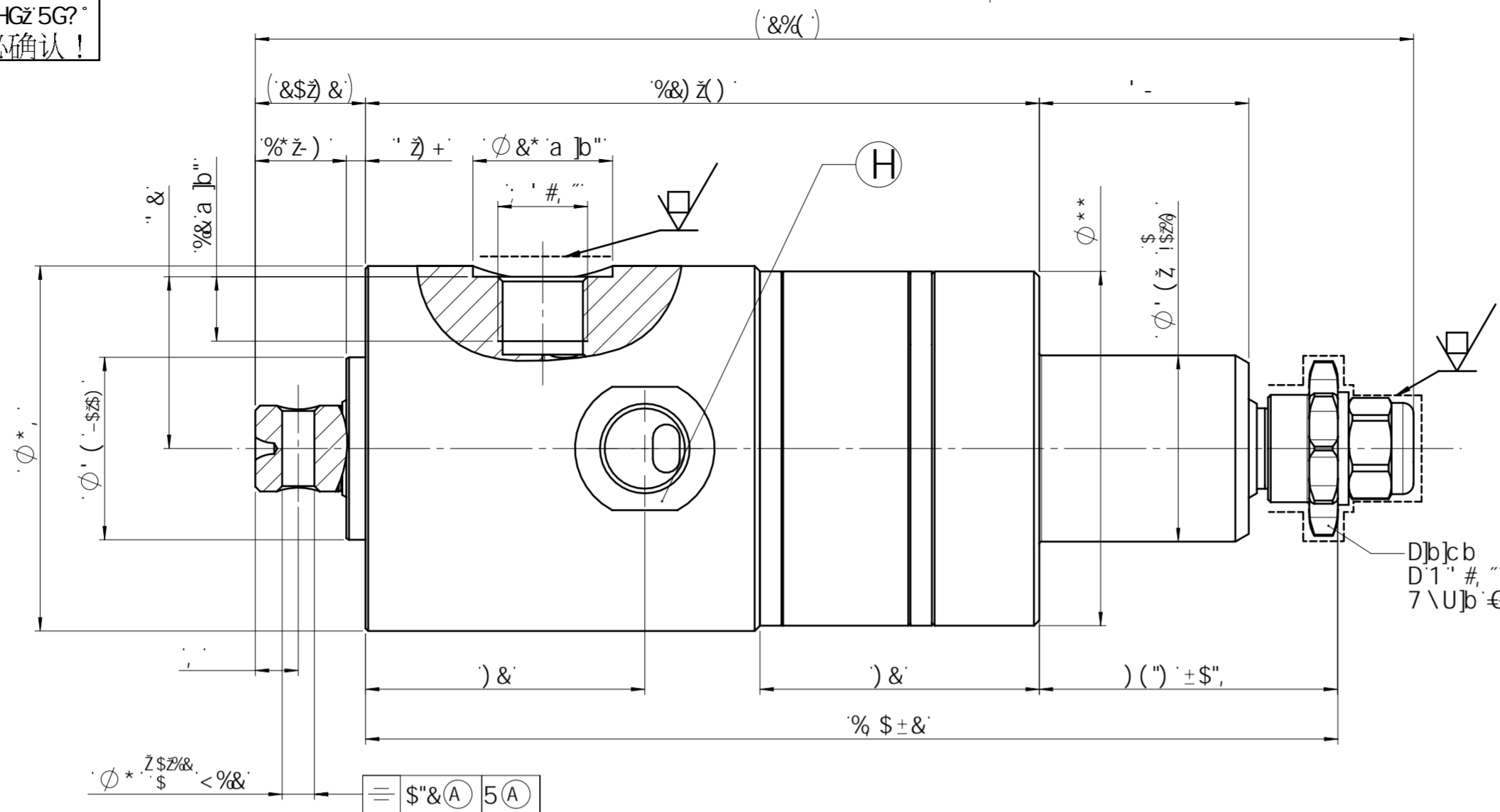
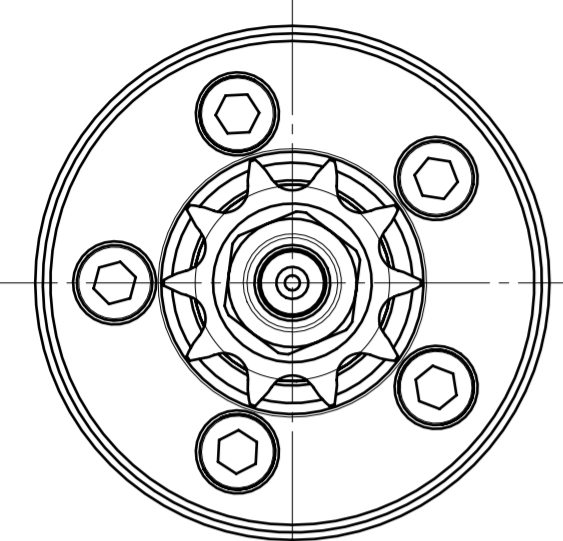
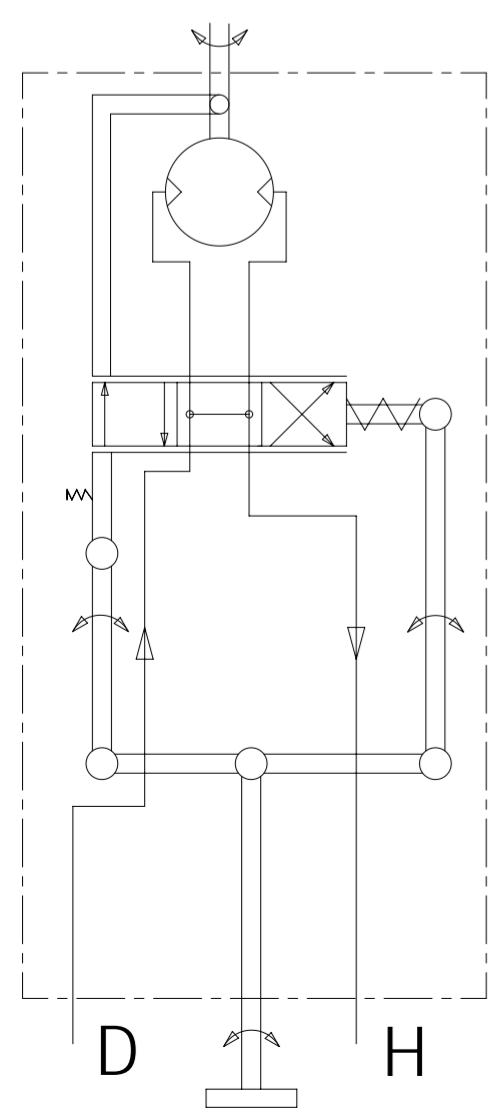
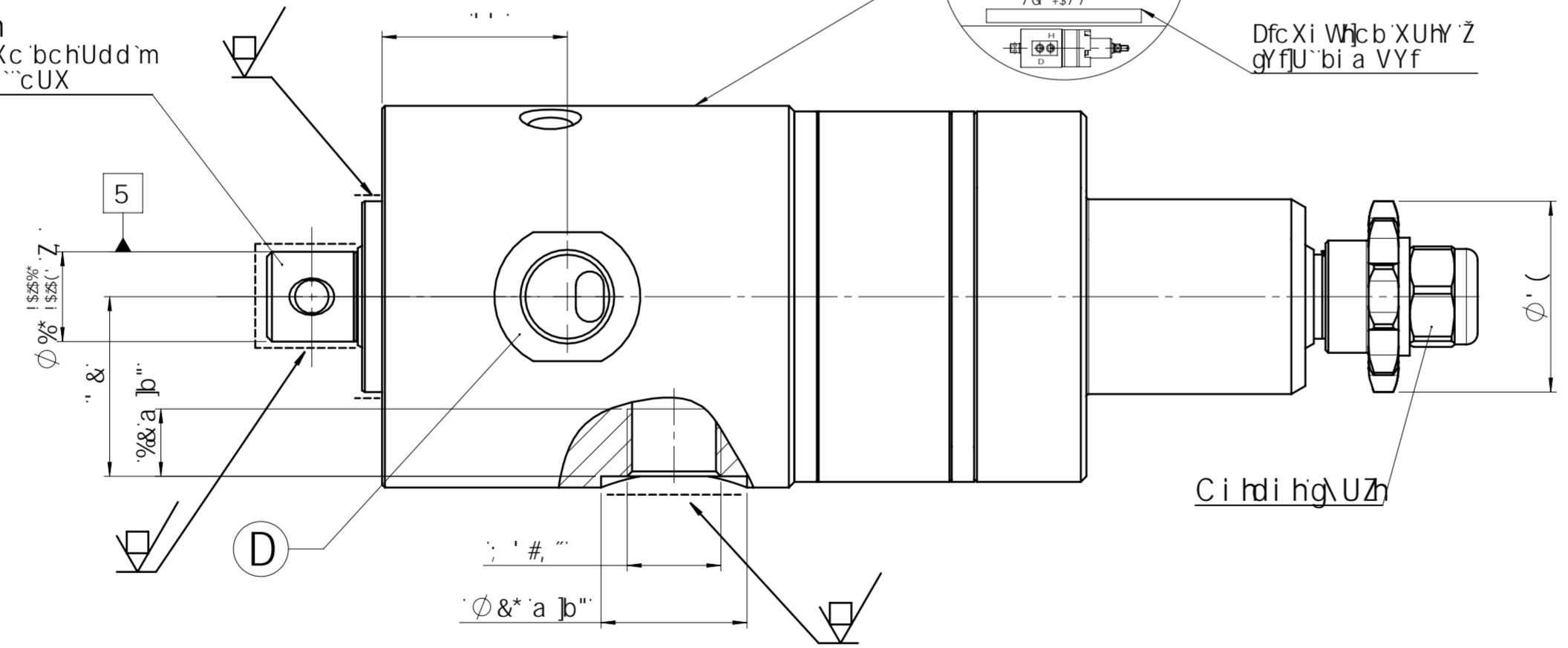


D5FHBI A 69F F9J  
 - \$) (+\$) & (\$\$ B9@8I 66-Cz7<-989F 9"  
 = 'MCI <5J 9 8CI 6HGz 5G?'  
 如有疑问，请务必确认！



hdi hg\Uzh  
 b Ugg\ a VmXc bchUdd'm  
 UI ju'cf rUXJU'cUX



)@h0 #-U -Vu'  
 au-k@8u\kj y-  
 ..... V ..... V  
 ..... V ..... V  
 U .....  
 \ ..... V  
 U ..... u'  
 .....  
 8-V-k' Ok-j y@-U -Vuo  
 ..... h  
 ..... #  
 ..... o  
 ..... @  
 ..... h  
 \ @h\ kuo  
 h u' ..... )@  
 h' @u@8 ch-#@@' u@V  
 ..... k'O  
 ..... #  
 ..... h' u'  
 .....  
 o- OM@h' kuVyU" -k'  
 ) \Vu8y-co t' u#=-' V' U -Vu@V- )  
 ..... A 5GG? [  
 .....  
 o--u' \ 7 #  
 ..... U

fl ..... L

GI F: 579 H9LHI F9 D9F -GC % \$& B ±a

IC #F5B7 9G5DD#7 56#9 IC BCB IC #F5 188 8-A 9BGC BG 5 @8A 9BGC BG5F9A 9F-7" 5 @8B 95F GMG-B a a		%* ) - \$\$ " &\$% K' + FYUgYX" 97B F9J D@7G 8FK 85H9 G-N9 G75@9 9B: " GC % 5DDF C 9B		F9J -G-CB DFC79GG 9B: F: 89G=B A 5H9F-5@F9@95G98 HC. A 5GG? [ G= B" 5DDF"	
@B 95F 8-A 9BGC BG HE YRUBW -S0 -% -90 -8 7-5A: 9FG HE YRUBW -S0 -% -90 -8 HE YRUBW -S0 -% -90 -8 HE YRUBW -S0 -% -90 -8		5& % C DK 5DDF C 9B DFC79GG 9B: F: 89G=B A 5H9F-5@F9@95G98 HC. A 5GG? [ G= B" 5DDF"		89BCA -B5N-CB9 7G +\$ #, " 89G7F -DH-CB 7G +\$ #, " D5FHBI A 69F - \$) (+\$) & (\$\$ F9J G-99H % C: &	
9CA 9F 7 5 @ IC #F5B7 9		ognibene power THE STEERING PEOPLE 5 @DFCD9F HMF = <HG F9G9F J 98 6MC; B=69B 9 DCK 9F gdu (&@ (F9: -C 9A @5 1H5@M1 H9@ 7' -S) &&) S@) \$%		A 9HF=7' a a %\$\$	