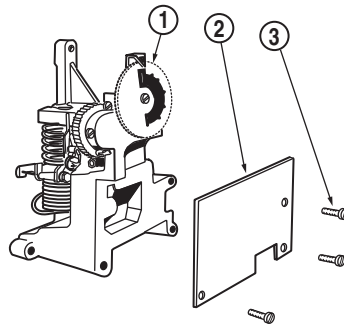


**40M and 40P Series  
Pneumatic Control Components  
Right-Hand Proportional Types  
(except Narrow Band)**

**\*Parts preceded by an asterisk are recommended spare parts.  
Give Instrument Model Number and Style when ordering.  
See Recommended Spare Parts Summary section for quantities.**

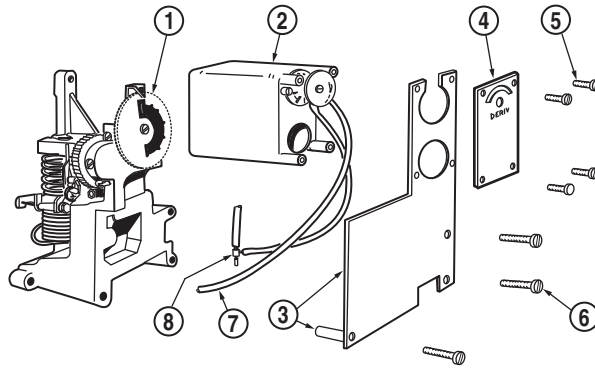
**TO ORDER PARTS, CALL FOXBORO AT 1-888-FOXBORO (1-888-369-2676).**

**PROPORTIONAL CONTROL UNIT – RIGHT-HAND UNIT (Figure 1)**



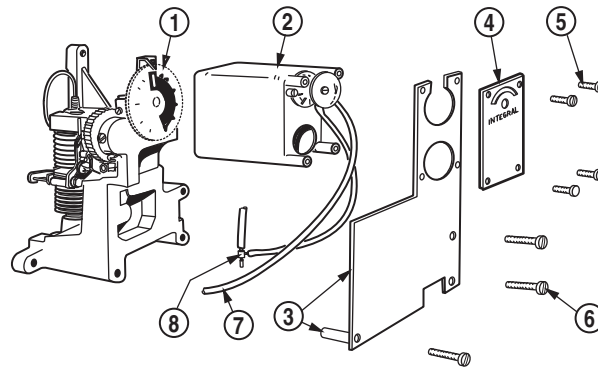
Item	Part No.	Qty.	Part Name
–	C0149EA	–	Proportional Control Unit
*1	C0149EJ	1	Differential Bellows Unit
2	C0149FL	1	Plate
3	0041283	3	Screw, Pan H., 0.190-32 x 0.250

**PROPORTIONAL PLUS DERIVATIVE CONTROL UNIT – RIGHT-HAND UNIT (Figure 2)**



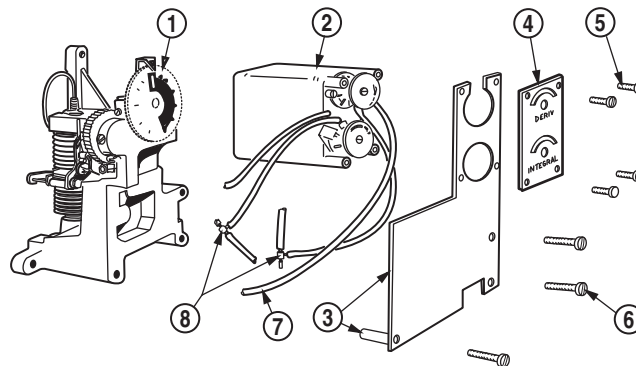
Item	Part No.	Qty.	Part Name
–	C0149EB	–	Proportional plus Derivative Control Unit
*1	C0149EK	1	Differential Bellows Unit
2	C0131EB	1	Restrictor Assembly
3	Below	–	Bracket Assembly
	D0149BD	1	Bracket, R.H. Mounting
	D0149BA'	1	Column, 0.210 I.D., 0.375 O.D.
4	C0149FR	1	Cover Plate
5	A2004EC	4	Screw, Fil. H., 0.138-32 x 0.375
6	X0127DK	3	Screw, Pan H., 0.190-32 x 1.000
*7	C0136HB	–	Tubing, 8 inches long
8	C0137RT	1	Tee

**PROPORTIONAL PLUS INTEGRAL CONTROL UNIT – RIGHT-HAND UNIT (Figure 3)**



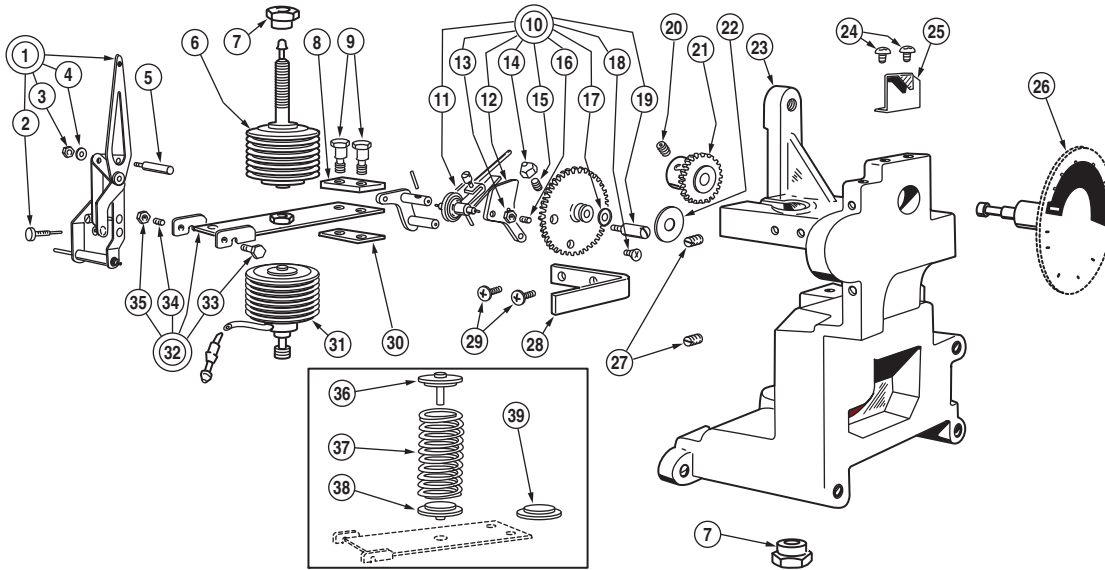
Item	Part No.	Qty.	Part Name
–	C0149EC	–	Proportional plus Integral Control Unit
*1	C0149EL	1	Differential Bellows Unit
2	C0131EB	1	Restrictor Assembly
3	Below	–	Bracket Assembly
	D0149BD	1	Bracket, R.H. Mounting
	D0149BA	1	Column, 0.210 I.D., 0.375 O.D.
4	C0149FS	1	Cover Plate
5	A2004EC	4	Screw, Fil. H., 0.138-32 x 0.375
6	X0127DK	3	Screw, Pan H., 0.190-32 x 1.000
*7	C0136HB	–	Tubing, 8 inches long
8	C0137RT	1	Tee

**PROPORTIONAL PLUS INTEGRAL PLUS DERIVATIVE CONTROL UNIT – RIGHT-HAND UNIT (Figure 4)**



Item	Part No.	Qty.	Part Name
–	C0149ED	–	Proportional + Integral + Derivative Control Unit
*1	C0149EM	1	Differential Bellows Unit
2	C0131EA	1	Restrictor Assembly
3	Below	–	Bracket Assembly
	D0149BD	1	Bracket, R.H. Mounting
	D0149BA	1	Column, 0.210 I.D., 0.375 O.D.
4	C0149FT	1	Cover Plate
5	A2004EC	4	Screw, Fil. H., 0.138-32 x 0.375
6	X0127DK	3	Screw, Pan H., 0.190-32 x 1.000
*7	C0136HB	–	Tubing, 8 inches long
8	C0137RT	1	Tee

**DIFFERENTIAL BELLOWS UNIT – RIGHT-HAND (Figure 5)**



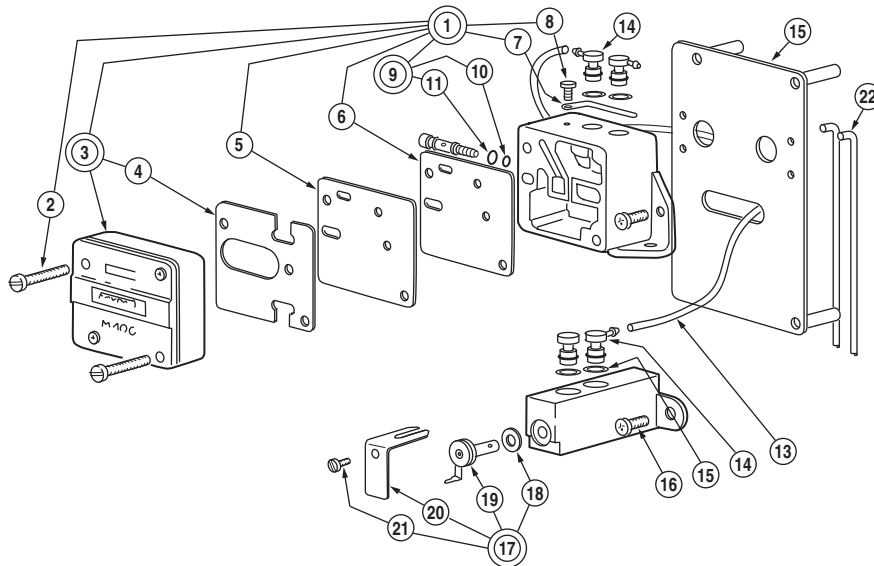
Item	Part No.	Qty.	Part Name
-	C0149EJ	-	Proportional Differential Bellows Unit
-	C0149EK	-	Proportional plus Derivative Differential Bellows Unit
-	C0149EL	-	Proportional plus Integral Differential Bellows Unit
-	C0149EM	-	Proportional plus Integral plus Derivative Differential Bellows Unit
1	C0103BK	1	Proportioning Lever Assembly
2	C0103BL	1	Differential Screw Assembly
3	X0104BR	1	Nut, 0.099-48
4	0038006	1	Washer
5	C0103BT	1	Pin
*6	Below	1	Integral Bellows Assembly
	C0149EW		For C0149EM Bellows Unit
	C0149EZ		For C0149EL Bellows Unit
7	C0149FH	2	Nut
8	C0103CN	1	Clamp Block
9	C0103CS	2	Screw, Hex H., 0.190-32 x 0.469

**DIFFERENTIAL BELLOWS UNIT – RIGHT-HAND (Figure 5) (Cont.)**

<b>Item</b>	<b>Part No.</b>	<b>Qty.</b>	<b>Part Name</b>
*10	C0103AS	1	Flapper Nozzle Assembly
11	C0103AT	1	Flapper Assembly
12	C0103BG	1	Plate
13	0043480	1	Nut
*14	0005683	1	Nozzle
15	0016802	1	Nipple
16	C0103AM	1	Bearing Screw
*17	C0125MB	1	O-Ring, 3.2 mm (0.125 in) ID
18	0032954	1	Screw, F.H., 0.099-48 x 0.187
19	C0103BD	1	Screw
20	X0100AD	1	Set Screw, 0.190-32 x 0.187
21	C0103CH	1	Gear
*22	C0103CZ	1	Gasket
23	C0149ES	1	Base
24	0014071	2	Screw, R.H., 0.125-40 x 0.125
25	C0103CL	1	Index
26	C0149FJ	1	Proportional Dial Assembly
27	0024105	2	Set Screw, 0.164-32 x 0.281
28	C0103CM	1	Spring
29	0040383	2	Screw, P.H., 0.164-32 x 0.250
30	C0103CV	1	Clamp Block
*31	Below	1	Proportional Bellows Assembly
	C0149FC		For C0149EK, C0149EM Bellows Units
	C0149FE		For C0149EJ, C0149EL Bellows Units
32	Below	1	Flexure Assembly
	C0104AC		For C0149EK, C0149EM Bellows Units
	C0103AL		For C0149EJ Bellows Unit
	C0149LF		For C0149EL Bellows Unit
33	C0103AR	1	Bearing Screw
34	C0103AM	1	Bearing Screw
35	0043480	1	Nut, 0.125-56
36	C0105AC	1	Spring Seat (C0149EJ, C0149EK Bellows Units)
*37	Below	1	Spring
	C0105AB		For C0149EJ Bellows Unit
	0049444		For C0149EK Bellows Unit
38	C0105AD	1	Spring Seat (C0149EJ Bellows Unit)
39	C0106AB	1	Spring Seat (C0149EK Bellows Unit)

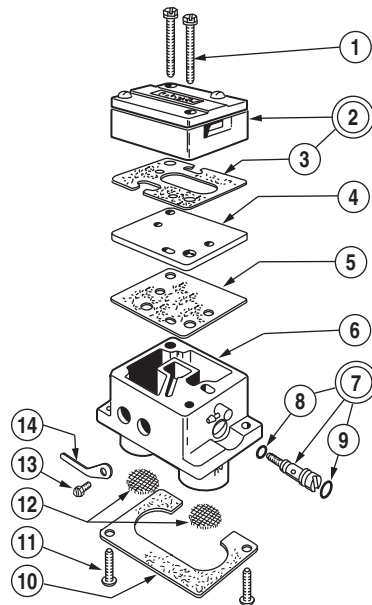
**RELAY AND MANIFOLD ASSEMBLIES**

**Relay Panel Assembly (Figure 6)**



Item	Part No.	Qty.	Part Name
–	C0149PX	–	Relay Panel Assembly
*1	C0139EN	1	Relay and Manifold Assembly
2	X0126YL	2	Screw, Pan H., 0.190-32 x 1.125 with Lockwasher
*3	C0136HZ	1	Relay Replacement Kit, M40G
*4	C0100EM	1	Gasket
5	U0113AK	1	Plate
6	U0110AX	1	Gasket
7	U0109EB	1	Clamp Lever
8	X6000KL	1	Screw, Hex H., 0.138-32 x 0.187
*9	C0125AT	1	Orifice Screw Assembly
*10	C0127CM	1	O-Ring, 2.9 mm (0.11 in) ID
*11	C0123AS	1	O-Ring, 4.5 mm (0.18 in) ID
12	C0149JG	1	Mounting Plate
*13	R0128AA	1	Tube (order 0.6 m {2 ft} per unit)
14	Below	–	Connection
	C0128MF	3	1 Spout
	C0128KE	1	2 Spout
*15	C0123AS	4	O-Ring, 4.5 mm (0.18 in) ID
16	0040383	3	Screw, Hex H., 0.138-32 x 0.250
17	C0132KA	1	Transfer Switch Assembly
18	C0100CK	1	O-Ring
19	C0132KM	1	Stem Assembly
20	C0132KF	1	Clip
21	C0132KR	1	Screw, Pan H., 0.112-48 x 0.125
22	C0149KV	2	Tube

**RELAY AND MANIFOLD ASSEMBLIES (Cont.)**  
**Relay Mounting Assemblies (Figure 7)**

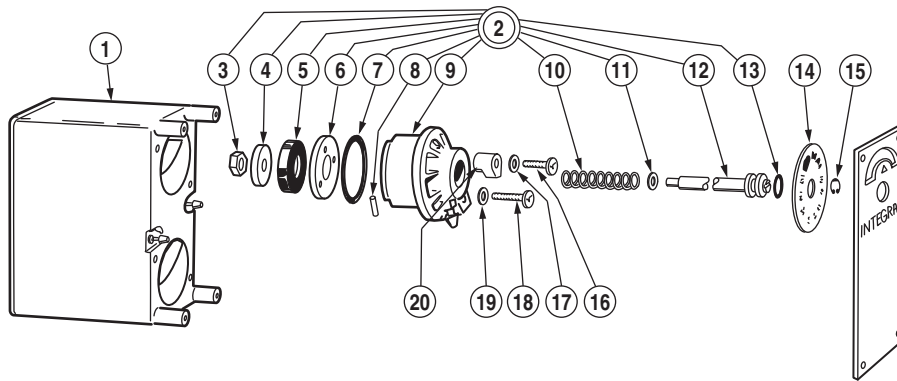


Item	Part No.	Qty.	Part Name
–	C0140GP	–	Relay Mounting Assembly, with Supply Tap (for Single Controllers)
–	C0140GV	–	Relay Mounting Assembly, without Supply Tap (for Dual Controllers)
1	X0127CS	2	Screw, Hex H., 0.190-32 x 1.125 with Lockwasher
*2	C0136HZ	1	Relay Replacement Kit, M40G
*3	C0100EM	1	Gasket
4	U0113AK	1	Plate
5	U0110AX	1	Gasket
6	Below	1	Manifold Assembly, 1/4 NPT
	C0140GN		For C0140GP Relay Mounting Assembly
	N0224PS		For C0140GV Relay Mounting Assembly
*7	C0140GT	1	Orifice Screw Assembly
*8	C0127CM	1	O-Ring, 2.9 mm (0.11 in) ID
*9	C0123AS	1	O-Ring, 4.5 mm (0.18 in) ID
10	C0140QQ	1	Gasket
11	X0127DF	2	Screw, Pan H., 0.190-32 x 0.500
*12	U0103FP	2	Screen
13	X6000KL	1	Screw, Hex H., 0.138-32 x 0.187
14	U0109EB	1	Clamp Lever

**— NOTE**

Note: Items 10 and 11 not included in assemblies. Order these items separately.

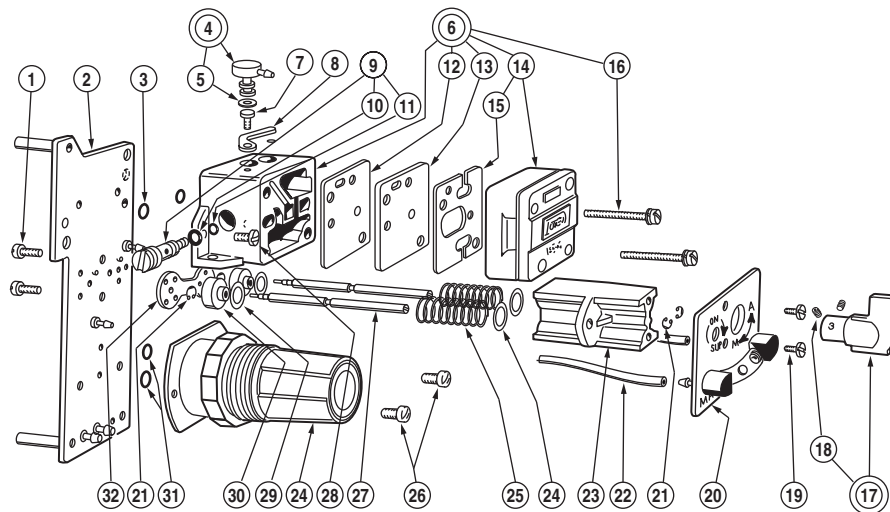
**RESTRICTOR ASSEMBLIES (Figure 8)**



Item	Part No.	Qty.	Part Name
-	C0131EA	-	Duplex Restrictor Assembly (Integral plus Derivative)
-	C0131EB	-	Single Restrictor Assembly (Integral or Derivative)
1	C0131EF	1	Tank Assembly
2	Below	-	Body Assembly
	C0131CN	2	For C0131EA Duplex Restrictor Assembly
	C0131CN	1	For C0131EB Single Restrictor Assembly
3	X0142BT	1	Nut, 0.250-28
4	C0134CZ	1	Washer
5	C0134BE	1	Scratch Restrictor
*6	C0131DH	1	Gasket
*7	X0145CM	1	O-Ring, 21.9 mm (0.86 in) ID
8	0042884	1	Grooved Pin
9	C0131DT	1	Body
10	C0131CV	1	Compression Spring
11	C0131DK	1	Washer
12	C0131CS	1	Shaft
*13	X0145CC	1	O-Ring, 7.6 mm (0.30 in) ID
14	C0131CU	1-2	Dial
15	C0134CM	1-2	Retaining Ring
16	0023175	1-2	Screw, Pan H., 0.125-40 x 0.437
17	0017206	1-2	Washer
18	X0122TW	1-2	Screw, Pan H., 0.138-32 x 0.375
19	X0143EX	1-2	Washer
20	C0131GV	1-2	Block

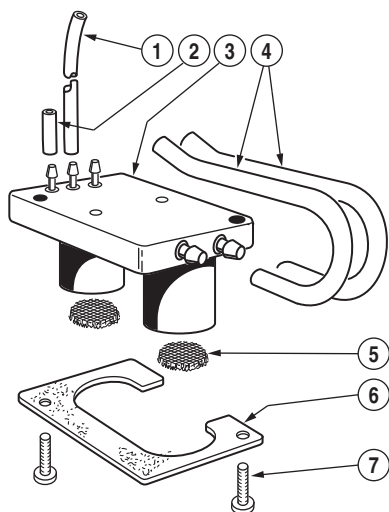


**AUTO-MAN WITH INTEGRAL REGULATOR – RIGHT-HAND (Figure 9)**



Item	Part No.	Qty.	Part Name
*-	C0146PD	-	Auto-Man Transfer Assembly
1	C0138KM	2	Screw, Pan H., 0.164-32 x 0.375 with Lockwasher
2	C0140PS	1	Circuit Plate Assembly
*3	C0123AS	2	O-Ring, 4.5 mm (0.18 in) ID
4	C0128MF	1	Connector Assembly (associated part)
5	C0123AS	1	O-Ring, 4.5 mm (0.18 in) ID
*6	C0146NV	1	Relay Manifold Assembly
7	X6000KL	1	Screw, Pan H., 0.138-32 x 0.218
*8	U0109EB	1	Clamp Lever
*9	C0140GT	1	Orifice Screw Assembly
*10	C0123AS	1	O-Ring, 4.5 mm (0.18 in) ID
*11	C0127CM	1	O-Ring, 2.9 mm (0.11 in) ID
12	U0110AX	1	Gasket
13	U0113AK	1	Plate
*14	C0136HZ	1	Relay Replacement Kit, M40G
*15	C0100EM	1	Gasket
16	X0127CS	2	Screw, Hex H., 0.190-32 x 1.125
17	C0140QX	1	Knob Assembly
18	X0100YT	2	Set Screw, 0.125-40
19	X0100PZ	2	Screw, Pan H., 0.164-32 x 0.18
20	C0140QK	1	Tube Assembly
21	C0134EC	4	Retaining Ring
*22	R0128AA	-	Tubing, order 0.3 m (1 ft) per unit
23	C0146PC	1	Column
24	C0134EF	4	Washer
25	C0134AZ	2	Spring
26	X0169CZ	2	Sems, Pan H., 0.164-32 x 0.37
27	C0140QY	2	Shaft
28	C0138KL	2	Screw, Pan H., 0.164-32 x 0.312
29	C0134FA	2	Switch Plate
*30	D0156EZ	1	Regulator
*31	C0123AX	2	O-Ring, 9.3 mm (0.36 in) ID
*32	C0136HX	1	Gasket

**MANIFOLD ASSEMBLY (Figure 10)**



Item	Part No.	Qty.	Part Name
*1	R0128AA	–	Tubing, order 0.3 m (1 ft) per unit
2	C0138BM	1	Cap Assembly
3	Below	1	Manifold Assembly
	C0140QA		Dual Controllers
	C0149JW		Single Controllers
*4	C0140ZH	2	Tube
*5	U0103FP	2	Screen
6	C0140QQ	1	Gasket
7	X0127DF	2	Screw, Pan H., 0.190-32 x 0.500

## RECOMMENDED SPARE PARTS SUMMARY

Figure Number	Item Number	Part Number	Part Name	Number of Parts Recommended for		
				1 Inst.	5 Inst.	20 Inst.
1	1	C0149EJ	Differential Bellows Unit (P only)	0	1	3
2	1	C0149EK	Differential Bellows Unit (P + D)	0	1	3
	7	C0136HB	Tubing, 8 inches long	0	1	3
3	1	C0149EL	Differential Bellows Unit (P + I)	0	1	3
	7	C0136HB	Tubing, 8 inches long	0	1	3
4	1	C0149ED	Differential Bellows Unit (P + I + D)	0	1	3
	7	C0136HB	Tubing, 8 inches long	0	1	3
5	6	Below C0149EW C0149EZ	Integral Bellows Assembly For C0149EM Bellows Unit For C0149EL Bellows Unit	0	1	2
	10	C0103AS	Flapper Nozzle Assembly	0	1	2
	14	0005683	Nozzle	1	1	2
	17	C0125MB	O-Ring, 3.2 mm (0.125 in)	1	1	2
	22	C0103CZ	Gasket	1	1	2
	31	Below C0149FC C0149FE	Proportional Bellows Assembly For C0149EK/EM Bellows Units For C0149EJ/EL Bellows Units	0	1	2
6	1	C0139EN	Relay and Manifold Assembly	0	1	3
	3	C0136HZ	Relay Replacement Kit, M40G	0	1	3
	4	C0100EM	Gasket	0	1	3
	9	C0125AT	Orifice Screw Assembly	0	1	3
	10	C0127CM	O-Ring, 2.9 mm (0.11 in)	0	1	3
	11	C0123AS	O-Ring, 4.5 mm (0.18 in)	0	1	3
	13	R0128AA	Tubing, order 0.6 m (2 ft) per Unit	–	–	–
	15	C0123AS	O-Ring, 4.5 mm (0.18 in)	0	1	3
7	2	C0136HZ	Relay Replacement Kit, M40G	0	1	3
	3	C0100EM	Gasket	0	1	3
	7	C0140GT	Orifice Screw Assembly	0	1	3
	8	C0127AM	O-Ring, 2.9 mm (0.11 in)	0	1	3
	9	C0123AS	O-Ring, 4.5 mm (0.18 in)	0	1	3
	12	U0103FP	Screen	0	2	4
8	6	C0131DH	Gasket	0	1	3
	7	X0145CM	O-Ring, 21.9 mm (0.86 in)	0	1	3
	13	X0145CC	O-Ring, 7.6 mm (0.30 in)	0	1	3

**RECOMMENDED SPARE PARTS SUMMARY (Cont.)**

Figure Number	Item Number	Part Number	Part Name	Number of Parts Recommended for		
				1 Inst.	5 Inst.	20 Inst.
9	–	C0146PD	Auto-Man Transfer Assembly (Whole Unit)	0	0	1
	3	C0123AS	O-Ring, 4.5 mm (0.18 in)	0	1	3
	6	C0146NV	Relay Manifold Assembly	0	1	3
	8	U0109EB	Clamp Lever	0	1	3
	9	C0140GT	Orifice Screw Assembly	0	1	3
	10	C0123AS	O-Ring, 4.5 mm (0.18 in)	0	1	3
	11	C0127CM	O-Ring, 2.9 m (0.11 in)	0	1	3
	14	C0136HZ	Relay Replacement Kit, M40G	0	1	3
	15	C0100EM	Gasket	0	1	3
	22	R0128AA	Tubing, order 0.3 m (1 ft) per Unit	–	–	–
	30	D0156EZ	Regulator	0	1	3
	31	C0123AX	O-Ring, 9.3 mm (0.36 in)	0	1	3
32	C0136HX	Gasket	0	2	4	
10	1	R0128AA	Tubing, order 0.3 m (1 ft) per Unit	–	–	–
	4	C0140ZH	Tube	0	2	4
	5	U0103FP	Screen	0	2	4

Invensys Operations Management  
 5601 Granite Parkway Suite 1000  
 Plano, TX 75024  
 United States of America  
<http://www.iom.invensys.com>

Global Customer Support  
 Inside U.S.:1-866-746-6477  
 Outside U.S.:1-508-549-2424 or contact  
 your local Invensys representative.  
 Website: <http://support.ips.invensys.com>

Invensys and Foxboro are trademarks of Invensys plc, its subsidiaries, and affiliates.  
 All other brand names may be trademarks of their respective owners.

Copyright 1997-2012 Invensys Systems, Inc.  
 All rights reserved

MB 150

0112