



Multi-channel flat jet nozzles for air Whisperblast®, plastic versions Series 600.130.S2/56

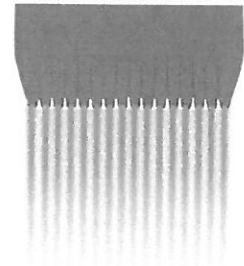
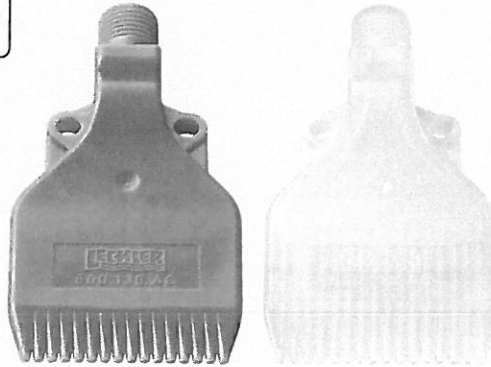
**Extremely
silent!**

Series 600.130.S2/56

The multi-channel flat jet nozzles of the 600.130 series generate a continuous powerful air stream. The noise level and air consumption remain low even at higher air pressures. Since the nozzles are made completely of POM or natural PP, they are also suitable for applications in the food industry or electroplating sector.

OSHA*

FDA



* Complies with OSHA requirements on noise level



Cost savings

21 %



Noise reduction

24 %



Materials

Natural PP and POM



Blowing force

2 N at 2 bar



Noise level

70 db(A) at 2 bar



Air consumption

$V_{LN}=18 \text{ m}^3/\text{h}$ at 2 bar



Pressure

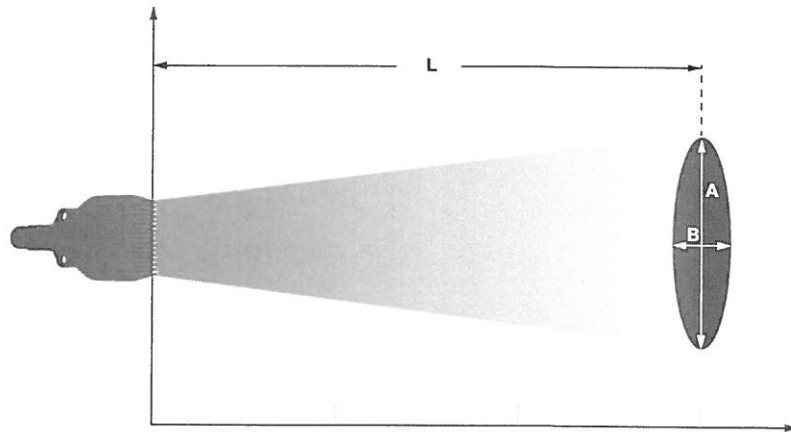
$P_{max} = 6 \text{ bar}$



Max. temperature

PP nature: 60 °C

POM: 50 °C

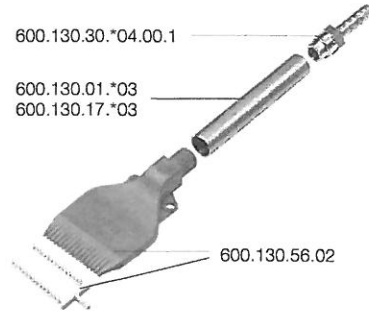
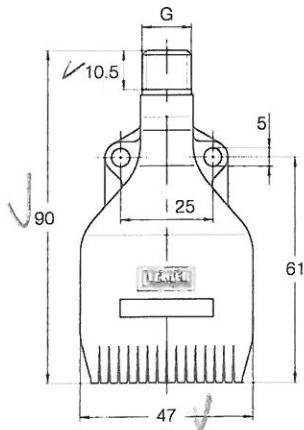


Jet pattern of 600.130 nozzle series

Pressure:	1 bar	3 bar	5 bar
Distance L [mm]:	600	900	900

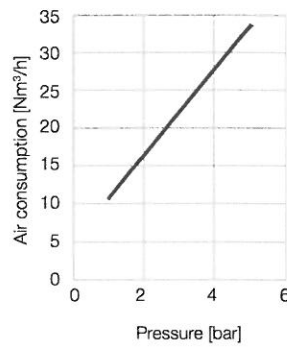
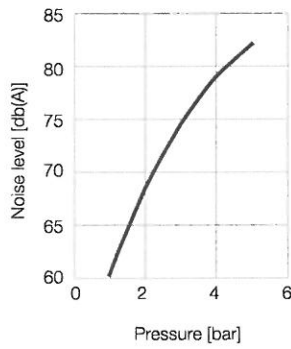
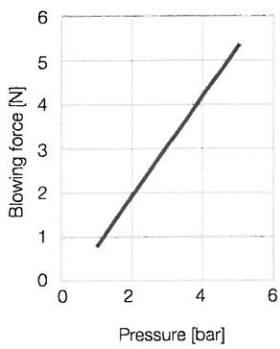
Jet dimensions at L

A [mm]:	140	240	260
B [mm]:	130	185	220



600.130.56.01 with accessories
 *01 = 1.0711 / 17 = AISI 316Ti / 30 = Brass

Technical data



Ordering no.				
Type	Mat. no.		Code	
	S2	56	1/4 BSPP	1/4 NPT
	Natural PP	POM		
600.130	<input type="radio"/>	<input type="radio"/>	AC	BC
600.130 with cover strip	-	<input type="radio"/>	02	-
600.130 with cover strip, Hose barb (D = 8 mm) and Extension tube (L = 85 mm)	-	<input type="radio"/>	01	-

Example Type + Mat. no. + Code = Ordering no.
 of ordering: 600.130. + 56 + AC = 600.130.56.AC

Note: The cover strip allows to customize the jet width by closing individual holes.