

CONTROL VALVES, SENSOR PADDLES PNEUMATIC ACCESSORIES FELT AND WIRE RUN-OFF ALARMS



IBS

JUB

James Ross

BERGER

JAKOB

Your benefits:

- +** high operating performance
- +** all purpose installation
- +** heat resistant



Dewatering Systems

Fabric Guides & Tensioners

Doctors & Showers

Special Products

Engineered Consumables

Technological Services

PAPER IN MOTION

IBS PAPER
PERFORMANCE
GROUP

Control Valves, Sensor Paddles

The edge tracking unit consists of a sensor paddle and a control valve. It accurately detects the position of the felt/wire edge and precisely controls the guide. This guarantees that the fabric has an optimized run. Sensor paddles and control valves are available in different designs and sizes suited to specific uses.

Control Valve SV-95.1-5 and SV-95-10

Product features:

- air throughput $\varnothing 5$ or $\varnothing 10$ mm
- Indirect (cam type) pneumatic valve
- Simple, reliable design
- 16° zero position
- Sensor paddle gravity-loaded
- Immediate response for most demanding applications
- Anodised aluminium or stainless steel
- Maximum air pressure 6 bar
- In zero position almost no air consumption



Control Valve SV-95.1-5 in stainless steel, Sensor paddle with ceramic plate and support stand SV-30

Control Valve SV-90

Product features:

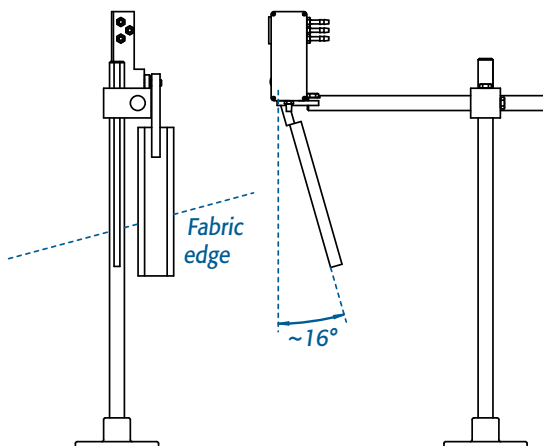
- Direct rotary pneumatic valve
- Simple, reliable design
- 16° zero position
- Sensor paddle gravity-loaded
- Hysteresis to compensate uneven edges
- Anodised aluminium or stainless steel
- Maximum air pressure 4 bar
- In zero position almost no air consumption



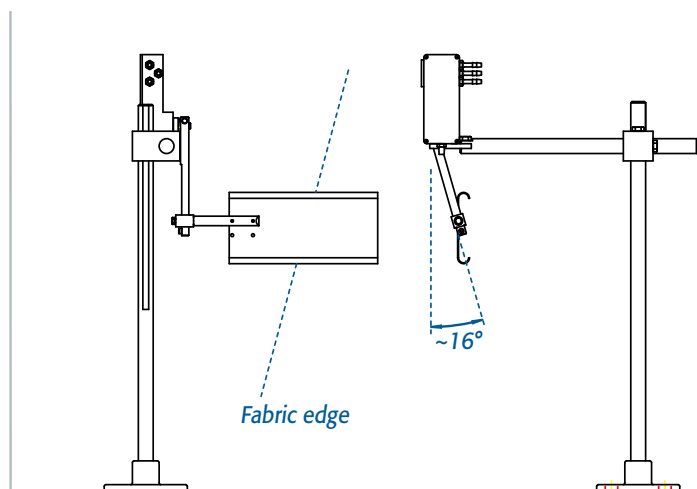
Control Valve SV-90 in stainless steel, Sensor paddle with ceramic plate and support stand SV-30

Sensor Paddle and Arm for Sensor Paddle

To guarantee precise edge tracking different types of sensor paddles and arms are used. This ensures highest guiding accuracy and gentle treatment of fabric edges. To avoid any additional forces to fabric edges and for highest operational safety (no risk of broken springs) JUD sensor paddles are all gravity loaded only.



Sensor Paddle and Arm for horizontal (0-45°) fabric run



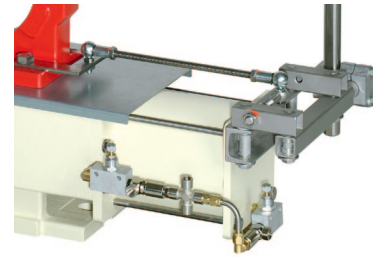
Sensor Paddle and Arm for vertical (45-90°) fabric run

Pneumatic Accessories

Pneumatic Valves

Pneumatic Valves for JUD Guides are available in different designs suitable for the wet as well as the dry end of the paper machine.

- One-way restrictors for exact adjustment of the air volume affecting the guide reaction time and speed.
- Stop valves closing up when the air pressure falls below a minimum set point and keep the guiding position in case of insufficient air supply.



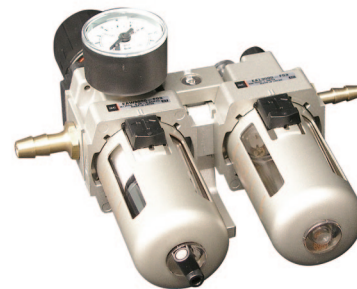
One-way restrictors and stop valves pre-assembled to piston guide SR-694

Service Units

All JUD control valves and piston guides should be operated with oiled instrument air. The service unit supplied by JUD consists of air filter, water separator, pressure regulator with pressure gauge and oiler.

Depending on the area of use different types are available.

Type	Area of use	max. Temp.
PNRE-FDM-AC30A-F03E	wire/press section	50°C
PNRE-FDM-331.JU01	dryer section	90°C
PNRE-FDM-U2009-150	dryer section	150°C



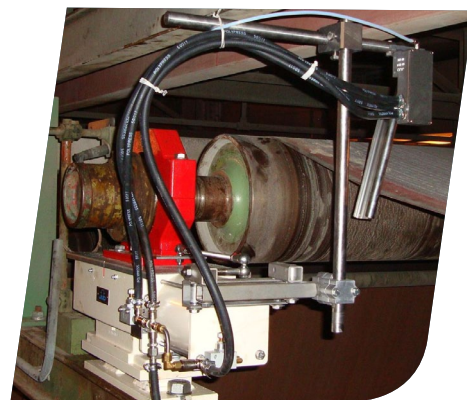
Service Unit PNRE-FDM-AC30A-F03E

Pneumatic Tubing

To connect the pneumatic components, JUD is offering several types of hoses and connectors.

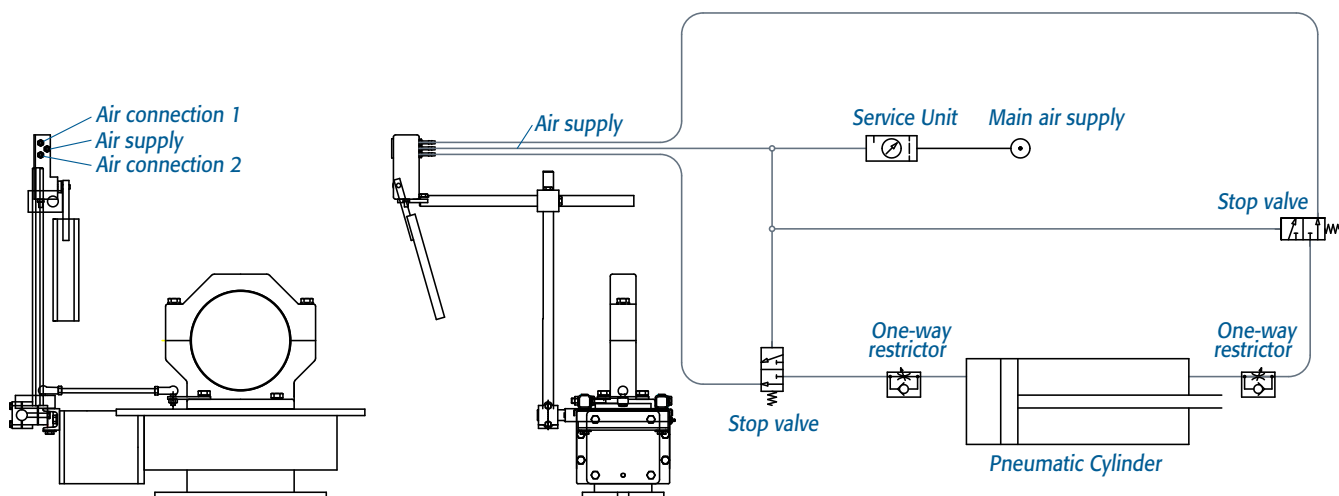
Depending on the area of use different versions up to temperatures of 150°C are available:

- Rubber hoses, cut to the correct length on site
- Stainless steel wire-reinforced rubber hoses, preassembled at JUD



Piston Guide SR-694 with pneumatic tubing, one-way restrictors and stop valves preassembled

Pneumatic Scheme

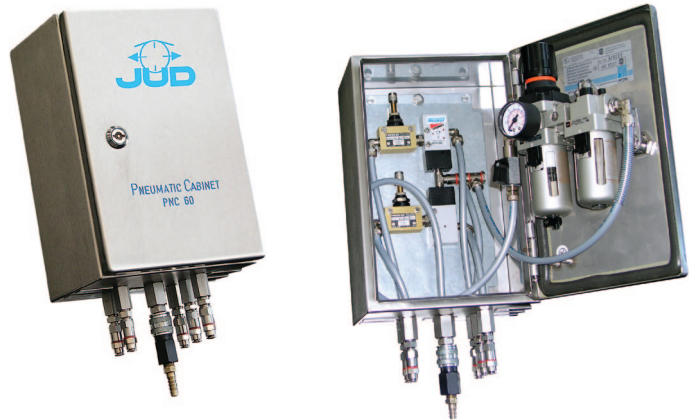


Pneumatic Accessories

Pneumatic Cabinet

Pneumatic Cabinets from JUD are a convenient solution when the guide is installed in extremely wet or dirty environment. To avoid any mechanical or chemical damage, all pneumatic components are well protected inside the cabinet.

- reliable air supply
- mild- or stainless steel cabinet
- preferably used in wire and press section



Pneumatic Cabinet PNC-60

Felt and Wire Run-Off Alarms

JUD fabric run-off alarms are installed in pairs on the front and drive side and give warnings on imminent felt or wire run-off.

Inductive switches are used in the wet end. In the dry end, mechanical switches that are heat resistant to 150°C, are used. The electric signals can be used by the machine control system as an alarm for the operator or to shut off the drives.

- paired installation on front and drive side
- reliable switches
- suitable for all positions



Run-Off Alarm SV-85-X-22IBIMO for wire and press section

Type	Area of use	max. Temp.	Remarks
SV-85-X-22IBIMO*	wire/press section	80°C	2-stage alarm, inductive limit switch
SV-85-X-22EBPMO	wire/press section	80°C	2-stage alarm, adjustable, inductive limit switch
SV-85-S-22MFTOO	dryer section	120°C	2-stage alarm, mechanical limit switch Type: Telemecanique
SV-85-S-22MFHOO	dryer section	120°C	2-stage alarm, mechanical limit switch Type: Honeywell
SV-85-S-22MIHOO	dryer section	150°C	2-stage alarm, mechanical limit switch Type: Honeywell

* standard for wet section

For more information:

Product Manager Matthias Dornstetter ▪ JUD AG Papiermaschinen ▪ Phone +423 375 8263 ▪ m.dornstetter@jud.li