

202 SERIES

Vertical Hold Down Clamps | Product Overview

Features:

- Two bar styles available
- Low profile T-Handle version available
- Available in stainless steel
- Accommodates M6 or 1/4" spindle accessories
- BLK models feature a black, non-reflective finish

Applications:

- Checking fixtures
- Assembly & test
- Light machining
- Woodworking

Also Available:

See page MC-ACC-1 for accessories

802-U Pneumatic Toggle Clamp
(See page MC-PTC-5)

202-U
Flanged Base
U-Bar



202-UL
Flanged Base
Long U-Bar



202-USS
Flanged Base
U-bar, Stain-
less Steel



202
Flange Base
Solid Bar



202-SS
Flanged Base
Solid Bar
Stainless Steel



202-UB
Straight Base
U-bar



202-B
Straight Base
Solid Bar



202-TU
Flanged Base
U-bar,
T-Handle



202-T
Flanged Base
Solid Bar
T-Handle



202-U-L ⓘ
Flanged Base
Open U-Bar



202-U-L-BLK ⓘ
Blackout Series
Flanged Base
Open U-Bar



202-UB-L ⓘ
Straight Base
Open U-Bar



202-UB-L-BLK ⓘ
Blackout Series
Straight Base
Open U-Bar



202305

Flanged Grip.
Provides added safety
and protection. Fits all
202 Series (except
T-Handle) clamps.
Order separately.

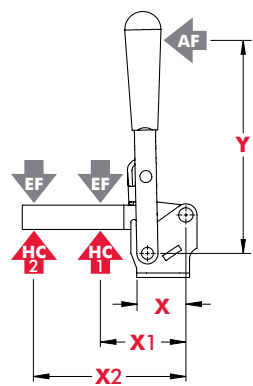


ⓘ This item is available upon request

| Model | Max. Holding Capacity | Clamp Bar Opening (+10°) | Handle Opening (+10°) | Weight | Accessories (Supplied) | |
|----------------|-----------------------|--------------------------|-----------------------|------------------|------------------------|-----------------|
| | | | | | Spindle Assembly | Flanged Washers |
| 202-U | 890 N [200 lbf] | 105° | 65° | 0,16kg [0.35lbs] | 202208-M | 215105 |
| 202-UL | 890 N [200 lbf] | | | | 202943-M | 215905 |
| 202-USS | 1110 N [250 lbf] | | | 202208-M | --- | |
| 202 | 890 N [200 lbf] | | | 205943-M | --- | |
| 202-SS | 1110 N [250 lbf] | | | 0,16kg [0.35lbs] | 202208-M | 215105 |
| 202-UB | 890 N [200 lbf] | | | 0,15kg [0.33lbs] | | |
| 202-B | 890 N [200 lbf] | | | 0,17kg [0.38lbs] | | |
| 202-TU | 890 N [200 lbf] | | | 0,16kg [0.35lbs] | | |
| 202-T | 890 N [200 lbf] | | | --- | --- | |
| 202-U-L ⓘ | 890 N [200 lbf] | | | --- | --- | |
| 202-U-L-BLK ⓘ | 890 N [200 lbf] | | | --- | --- | |
| 202-UB-L ⓘ | 890 N [200 lbf] | | | --- | --- | |
| 202-UB-L-BLK ⓘ | 890 N [200 lbf] | | | --- | --- | |

ⓘ This item is available upon request

Holding Capacities



| Model | X | X1 | X2 | Y | ±HC1 | ±HC2 | ±EF(X1):AF | ±EF(X2):AF |
|----------------|--------------|--------------|--------------|--------------------|--------------------|-------------------|------------|------------|
| 202-U | [0.79] 20 | [1.25] 32 | [2.25] 57 | [3.42] 87 | [200 lbf] 890N | [140 lbf] 625N | 10:1 | 5:1 |
| 202-UL | | | [2.88] 73 | [3.42] 87 | [150 lbf] 670N | 4:1 | | |
| 202-USS | | [2.25] 57 | [3.00] 76 | [250 lbf] 1110N | [170 lbf] 760N | 5:1 | | |
| 202 | | --- | [1.88] 48 | [3.42] 87 | --- | [200 lbf] 890N | --- | 8:1 |
| 202-SS | | --- | [3.00] 76 | --- | [250 lbf] 1110N | --- | --- | 8:1 |
| 202-UB | | [1.25] 32 | [2.25] 57 | [3.42] 87 | [200 lbf] 890N | [140 lbf] 625N | 10:1 | 5:1 |
| 202-B | | --- | [1.88] 48 | --- | [200 lbf] 890N | --- | --- | 8:1 |
| 202-TU | | [1.25] 32 | [2.25] 57 | [2.13] 54 | [200 lbf] 890N | [140 lbf] 625N | 11:1 | 7:1 |
| 202-T | | --- | [1.88] 48 | --- | [200 lbf] 890N | --- | --- | 6:1 |
| 202-U-L ⓘ | | --- | --- | --- | --- | --- | --- | --- |
| 202-U-L-BLK ⓘ | | [1.25] 32 | [2.25] 57 | [3.42] 87 | [200 lbf] 890N | [140 lbf] 625N | 10:1 | 5:1 |
| 202-UB-L ⓘ | | --- | --- | --- | --- | --- | --- | --- |
| 202-UB-L-BLK ⓘ | | --- | --- | --- | --- | --- | --- | --- |

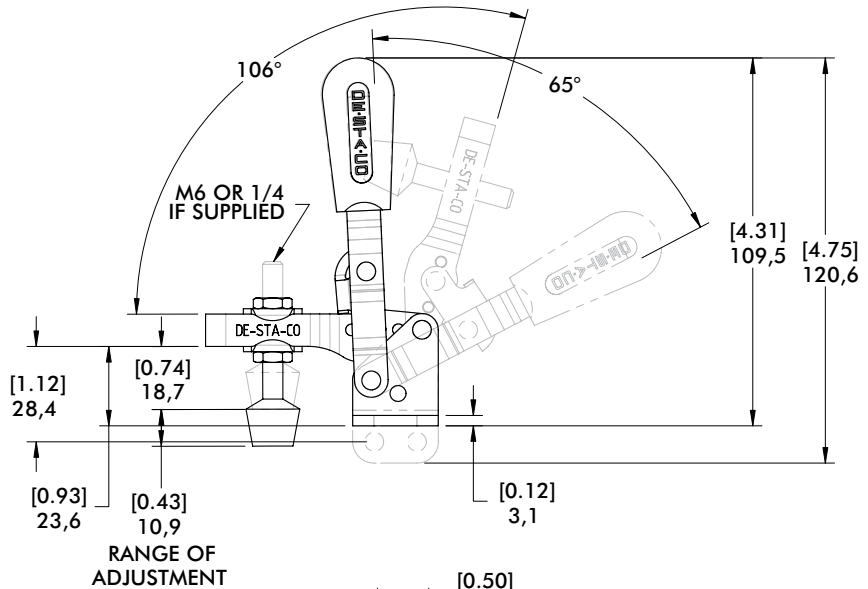
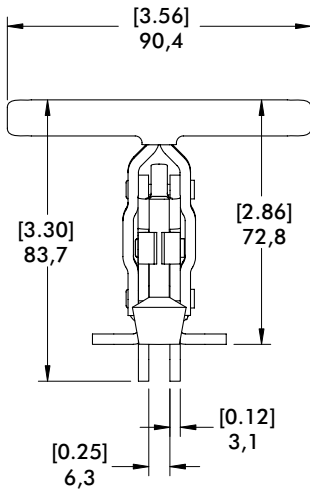
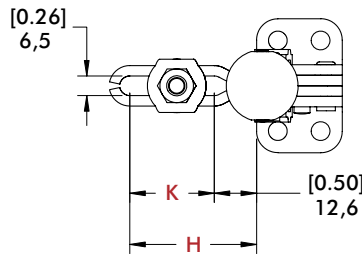
Dimensions shown "mm [inch]" ± HC = Holding Capacity, EF = Exerting Force, AF = Applied Force

ⓘ This item is available upon request

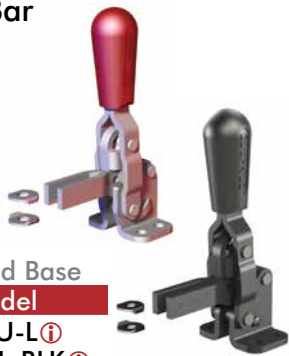
202 SERIES

Vertical Hold Down Clamps | Dimensions | -U/-UL/-USS/-SS/-UB/-B/-TU/-T

202-U
Flanged Base
U-Bar



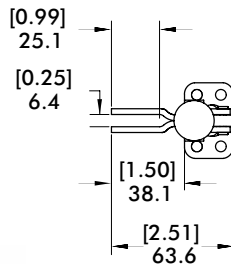
Open Bar Option



See page
MC-ACC-7
for complete
offering of open
bar accessories

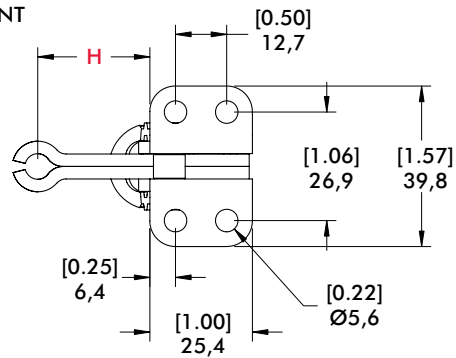
Flanged Base
Model

202-U-L ⓘ
202-U-L-BLK ⓘ



Straight Base
Model

202-UB-L ⓘ
202-UB-L-BLK ⓘ



mm [INCH]
THIRD ANGLE
PROJECTION

| Bar Style | Clamp Models | H | K |
|-----------|---------------------------------|----------------|----------------|
| | 202-U/202-UB/ 202-USS/202-TU | [1.73] 44,1 | [0.98] 25 |
| | 202-UL ⓘ | [2.29] 58,1 | [1.51] 38,4 |
| | 202/202-B/ 202-T/202-SS | [1.08] 27,4 | --- |
| | 202-U-L ⓘ/ 202-UB-L ⓘ | [1.50] 38,1 | --- |

ⓘ This item is available upon request