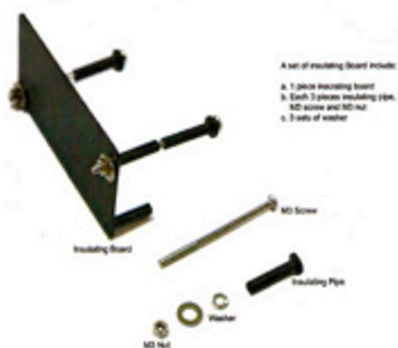




Nota di montaggio per fotocellula anti-cavallotto SICEST
SICEST Overlapping Photocell installing instruction

SRT-911-15-U600



Sede operativa: VIA CARLO CATTANEO, 2 - 27015 LANDRIANO (PV)
Tel: +39-03-821930010 Fax: +39-03-821930011 E-mail: info@sicest.net / www.sicest.net
Sede legale: Via Leopardi, 2 - 20090 OPERA (Mi) - P.I. e CF: 13239950150
Cap. Soc. € 10.200,00.= i.v. - C.C.I.A.A. nr.: REA 1637150



Le fotocellule SICEST fornite hanno in dotazione un piastrino nero isolante. Questo piastrino **deve assolutamente essere installato** con gli appositi isolatori tra la fotocellula e la staffa di fissaggio della stessa.

Questo oggetto serve a garantire l'isolamento elettrico tra la carcassa della fotocellula e la carcassa dell'impianto.

Si è reso necessario questo accorgimento per ridurre le possibili cause di guasto delle fotocellule, spesso dovute ad interventi di saldatura sui moduli del forno con quadro elettrico in tensione

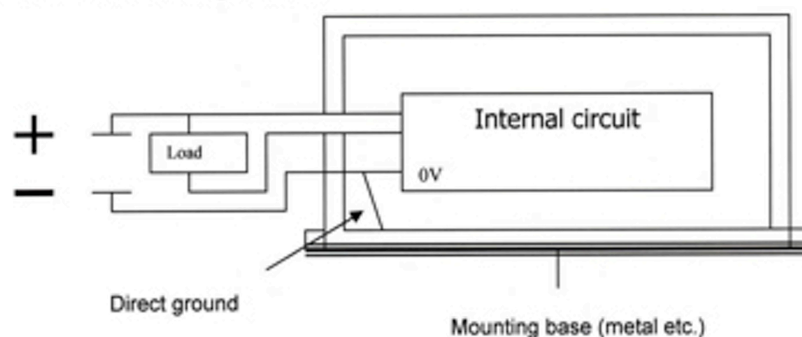
*The SICEST photocells have included a black insulating board. This insulating board **must be installed** with the appropriate insulating pipe between the photocell and the photocell fixing bracket.*

This object is used to ensure the electrical insulation between the box of photocell and the ground of the kiln. This measure is necessary to reduce the possible causes of photocells failure often caused by welding operation on the modules of the kiln when the electrical panel is energized

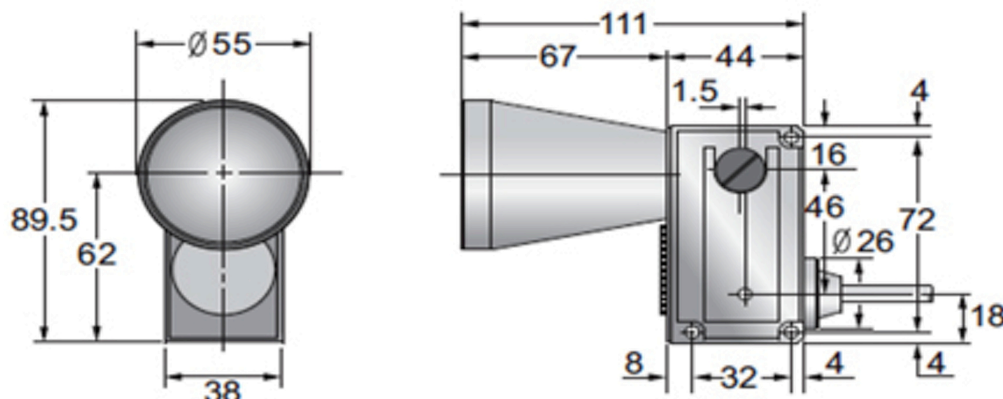
ENCLOSURE GROUND METHOD

this product is employed the direct ground method (the circuit 0V and the case are connected directly) because of improving the noise resistance

Special insulation mounting bracket



In the case that direct circuit 0V should be not connected with the mounting base electrically, use a specialinsulation mounting bracket.



Sede operativa: VIA CARLO CATTANEO, 2 - 27015 LANDRIANO (PV)

Tel.: ++39-03-821930010 Fax: ++39-03-821930011 e-mail: info@sicest.net / www.sicest.net

Sede legale: Via Leopardi, 2 - 20090 OPERA (MI) - P.I. e CF: 13239950150

Cap.Soc. € 10.200,00= i.v. - C.C.I.A.A. nr.: REA 1637150