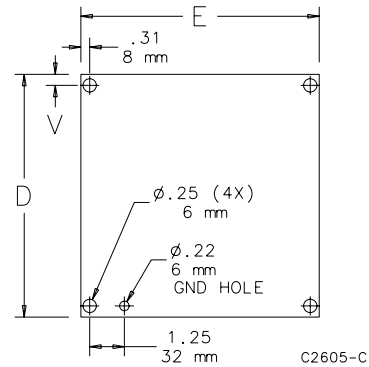


**PANELS FOR JUNCTION BOXES**



Steel panels are 14 gauge, finished with white polyester powder paint or with a conductive, corrosion-resistant coating. Stainless steel panels are 14 gauge Type 304 and have a commercial #2B finish which is protected on one side with a plastic film. Aluminum panels are 5052-H32 aluminum alloy 0.080-in. (2-mm) thick and protected on one side with a plastic film. Panel mounting hardware is furnished with all enclosures which accept these panels.

**BULLETIN: PNLJ. PNLWM**

Catalog Number	Material	Panel Size D x E (in.)	Panel Size D x E (mm)	V (in.)	V (mm)
A6P4	Painted steel	4.88 x 2.88	124 x 73	0.31	8
A6P4G	Conductive steel	4.88 x 2.88	124 x 73	0.31	8
A6P4SS	Stainless Steel	4.88 x 2.88	124 x 73	0.31	8
A6P4AL	Aluminum	4.88 x 2.88	124 x 73	0.31	8
A6P6	Painted steel	4.88 x 4.88	124 x 124	0.31	8
A6P6G	Conductive steel	4.88 x 4.88	124 x 124	0.31	8
A6P6SS	Stainless Steel	4.88 x 4.88	124 x 124	0.31	8
A6P6AL	Aluminum	4.88 x 4.88	124 x 124	0.31	8
A8P6	Painted steel	6.75 x 4.88	171 x 124	0.25	6
A8P6G	Conductive steel	6.75 x 4.88	171 x 124	0.25	6
A8P6SS	Stainless Steel	6.75 x 4.88	171 x 124	0.25	6
A8P6AL	Aluminum	6.75 x 4.88	171 x 124	0.25	6
A8P8	Painted steel	6.75 x 6.88	171 x 175	0.25	6
A8P8AL	Aluminum	6.75 x 6.88	171 x 175	0.25	6
A10P8	Painted steel	8.75 x 6.88	222 x 175	0.25	6
A10P8G	Conductive steel	8.75 x 6.88	222 x 175	0.25	6
A10P8SS	Stainless Steel	8.75 x 6.88	222 x 175	0.25	6
A10P8AL	Aluminum	8.75 x 6.88	222 x 175	0.25	6
A10P10	Painted steel	8.75 x 8.88	222 x 226	0.25	6
A10P10G	Conductive steel	8.75 x 8.88	222 x 226	0.25	6
A10P10AL	Aluminum	8.75 x 8.88	222 x 226	0.25	6
A12P6	Painted steel	10.75 x 4.88	273 x 124	0.25	6
A12P6G	Conductive steel	10.75 x 4.88	273 x 124	0.25	6
A12P10	Painted steel	10.75 x 8.88	273 x 226	0.25	6
A12P10G	Conductive steel	10.75 x 8.88	273 x 226	0.25	6
A12P10SS	Stainless Steel	10.75 x 8.88	273 x 226	0.25	6
A12P10AL	Aluminum	10.75 x 8.88	273 x 226	0.25	6
A12P12	Painted steel	10.75 x 10.88	273 x 276	0.25	6
A12P12G	Conductive steel	10.75 x 10.88	273 x 276	0.25	6
A12P12SS	Stainless Steel	10.75 x 10.88	273 x 276	0.25	6
A14P8	Painted steel	12.75 x 6.88	324 x 175	0.25	6
A14P8G	Conductive steel	12.75 x 6.88	324 x 175	0.25	6
A14P12	Painted steel	12.75 x 10.88	324 x 276	0.25	6
A14P12G	Conductive steel	12.75 x 10.88	324 x 276	0.25	6
A14P12SS	Stainless Steel	12.75 x 10.88	324 x 276	0.25	6
A14P12AL	Aluminum	12.75 x 10.88	324 x 276	0.25	6
A16P10	Painted steel	14.75 x 8.88	375 x 226	0.25	6
A16P10G	Conductive steel	14.75 x 8.88	375 x 226	0.25	6
A16P14	Painted steel	14.75 x 12.88	375 x 327	0.25	6
A16P14G	Conductive steel	14.75 x 12.88	375 x 327	0.25	6
A16P14SS	Stainless Steel	14.75 x 12.88	375 x 327	0.25	6
A16P14AL	Aluminum	14.75 x 12.88	375 x 327	0.25	6
A18P16	Painted steel	16.75 x 14.88	425 x 378	0.25	6
A18P16G	Conductive steel	16.75 x 14.88	425 x 378	0.25	6
A18P16SS	Stainless Steel	16.75 x 14.88	425 x 378	0.25	6
A18P16AL	Aluminum	16.75 x 14.88	425 x 378	0.25	6