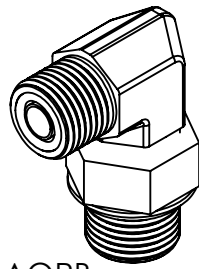
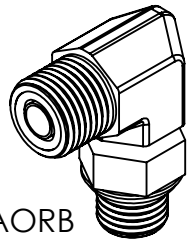


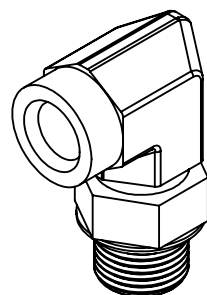
Related Parts



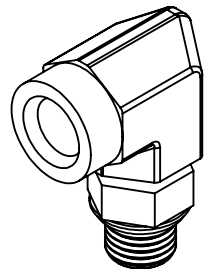
10663
Fitting, 90 Degree,
3/8" MORFS x #8 MAORB



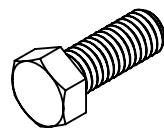
10664
Fitting, 90 Degree,
3/8" MORFS x #6 MAORB



10681
Fitting, 90 Degree,
3/8" Female NPT x #8 MAORB
Adapts Pump to NPT Hose Kit



10682
Fitting, 90 Degree,
3/8" Female NPT x #6 MAORB
Adapts Pump to NPT Hose Kit



12027
Bolt, HHCS,
3/8"-16 x 1", Grade 5



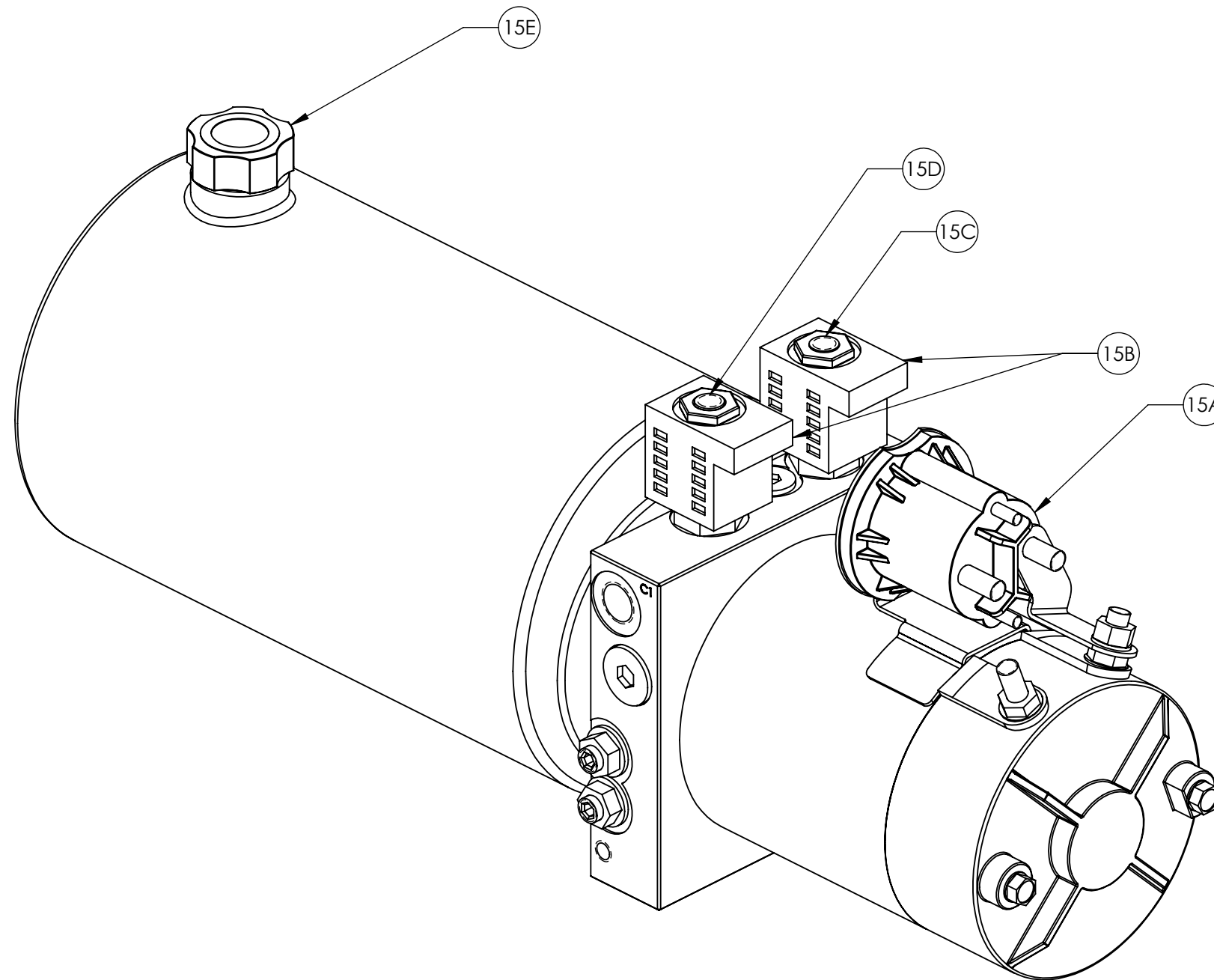
26048
Flat Washer,
3/8" SAE, Zn Plated Steel

Parts for 11010 Hydraulic Power Unit, 12V

Item No.	Description	Part Number	Qty.
15A	Solenoid Start Switch, 12V, Includes Nuts	11024	1
15B	Valve Coil, 10V, For 12V Power Units	11121-12	2
15C	Valve, 4-Way, C2 Side of Pump	11020	1
15D	Valve, 2-Way, C1 Side of Pump	11021	1
15E	Reservoir Cap	11012NJ-CAP	1

Parts for 11011 Hydraulic Power Unit, 24V

Item No.	Description	Part No.	Qty.
15A	Solenoid Start Switch, 24V, Includes Nuts	11025	1
15B	Valve Coil, 18V, For 24V Power Units	11121-24	2
15C	Valve, 4-Way, C2 Side of Pump	11020	1
15D	Valve, 2-Way, C1 Side of Pump	11021	1
15E	Reservoir Cap	11012NJ-CAP	1



- Models 11010 and 11011 are complete hydraulic power units that include all parts shown as well as:
- Any necessary ground wires installed
 - 5 feet [1.5 meters] of controller cable
 - 10681 adapter fitting
 - 10682 adapter fitting

Traffix Devices Inc.
160 Avenida La Pata
San Clemente, CA 92673
(949) 361-5663
FAX (949) 361-9205
www.traffixdevices.com

TITLE:
**Hydraulic Power Unit,
Replacement Parts
Reference**

SIZE B	DWG. NO. 11010/11011	REV A
------------------	-------------------------	-----------------

DRAWN BY: Ryan Selvius	DATE: 10/25/17	APPROVED BY: GM	DATE: 10/31/16	SHEET 1 OF 1
---------------------------	-------------------	--------------------	-------------------	--------------

Repair and Service Notes:

- When replacing valves or coils, the valve stem nut should be torqued to no more than 50 in-lbs
- All electrical terminals should be taken apart and cleaned periodically to remove any corrosion
- Valve coils should be periodically removed and inspected/cleaned for corrosion (applies to single wire coils)

