

- Outer diameter 82 mm
- Made of stainless steel
- Double channel version suitable for PL d (EN13849-1) systems
- Electrical connection with 4xAWG24 5.0 m shielded cable

On request:

- Special finishes and materials
- Load cell amplifier (to be ordered separately): BPE «ADS-200 MkII» series

*Typical fields of application: Normally used to measure the load in an aerial basket/work platform cages and generic mobile machines*

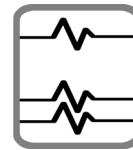
**Note: the user/installer is responsible for evaluating the values and, thus, the safety of the application**



Output Sensitivity



Protection Grade IP66/IP67



Single or double channel

### Technical data

Power supply	from 0 to 15 V <sub>DC</sub>
Output	2.0 mV/V
Nominal load	1000 / 2500 / 5000 DaN
Linearity, repeatability, hysteresis	± 1% FS
Zero offset	± 1% FS
FS and zero temperature coefficient	0.008 <sup>(1)</sup> %FS / °C
Insulation	> 2 GΩ @ 15 V <sub>DC</sub>
Input and output resistance	350 Ω
Safe overload	150%
Ultimate load	300%
Operating temperature	from -20 to +70 °C
Maximum weight	1.25 Kg
Housing material	Stainless steel
Standard protection grade	IP66 / IP67
CE conformity	EMC Directive: 2014/30/EU
EMC: Immunity   Emission	EN 61000-6-2   EN 61000-6-3
Maximum number of mechanical cycles	1x10 <sup>8</sup> cycles

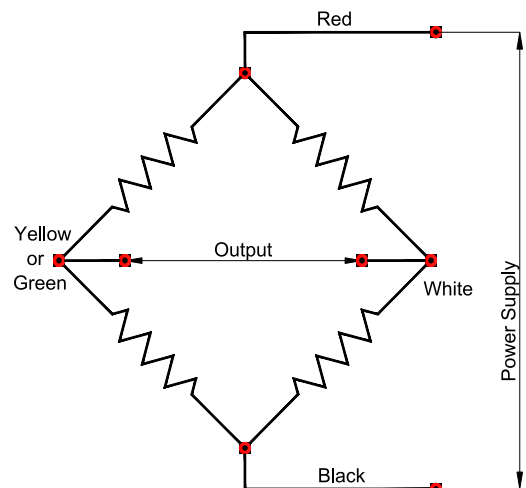
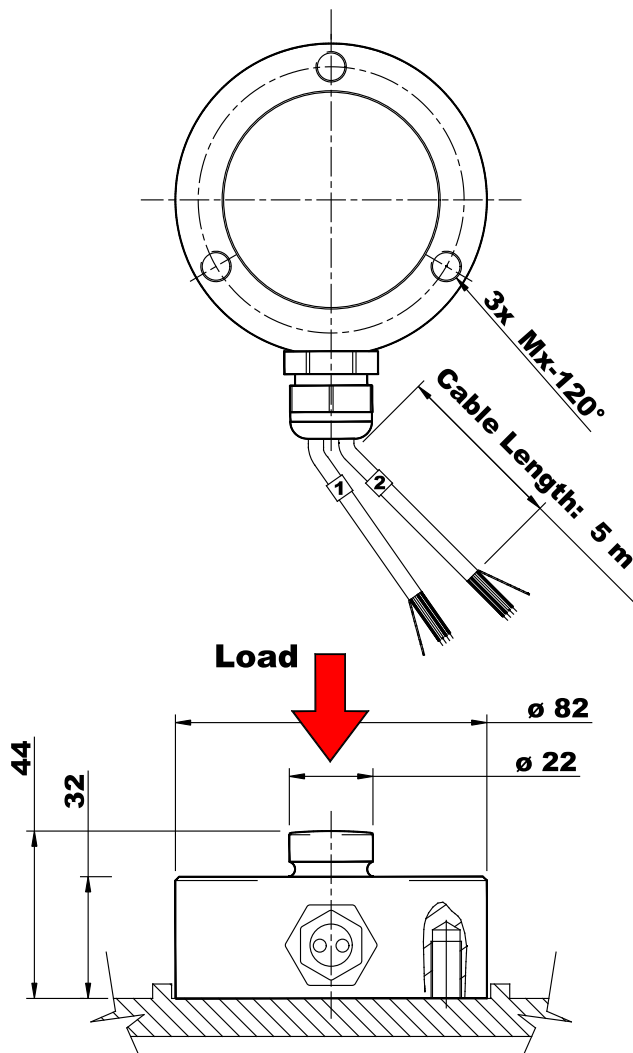
<sup>(1)</sup> Between -10 °C and +40 °C

### Ordering Code

	TC82	01000	S	H44	2	1P11	L05000	NOT	CCF																		
	Transducer type	Nominal load	Channels	Height	Housing material	Cable gland	Cable length	Custom configuration	Electrical connection																		
Nominal load	<table border="1"><tr><td>0</td><td>1</td><td>0</td><td>0</td><td>0</td></tr><tr><td>0</td><td>2</td><td>5</td><td>0</td><td>0</td></tr><tr><td>0</td><td>5</td><td>0</td><td>0</td><td>0</td></tr></table>	0	1	0	0	0	0	2	5	0	0	0	5	0	0	0			<table border="1"><tr><td>1000 daN</td></tr><tr><td>2500 daN</td></tr><tr><td>5000 daN</td></tr></table>	1000 daN	2500 daN	5000 daN					<b>Electrical connections</b> Code: CCF <u>single</u> or <u>double</u> channel Red : Positive Supply Black : Negative Supply Yellow or Green : Signal - White : Signal + Shield : Not connected
0	1	0	0	0																							
0	2	5	0	0																							
0	5	0	0	0																							
1000 daN																											
2500 daN																											
5000 daN																											
Channels	<table border="1"><tr><td>S</td></tr><tr><td>D</td></tr></table>	S	D			<table border="1"><tr><td>Single channel</td></tr><tr><td>Double channel</td></tr></table>	Single channel	Double channel																			
S																											
D																											
Single channel																											
Double channel																											
Height	<table border="1"><tr><td>H</td><td>4</td><td>4</td></tr></table>	H	4	4			<table border="1"><tr><td>44.0 mm</td></tr></table>	44.0 mm																			
H	4	4																									
44.0 mm																											
Housing material	<table border="1"><tr><td>2</td></tr></table>	2			<table border="1"><tr><td>Stainless steel</td></tr></table>	Stainless steel																					
2																											
Stainless steel																											
Cable gland	<table border="1"><tr><td>1</td><td>P</td><td>1</td><td>1</td></tr></table>	1	P	1	1			<table border="1"><tr><td>With PG11 cable gland</td></tr></table>	With PG11 cable gland																		
1	P	1	1																								
With PG11 cable gland																											
Cable length	<table border="1"><tr><td>L</td><td>0</td><td>5</td><td>0</td><td>0</td><td>0</td></tr></table>	L	0	5	0	0	0			<table border="1"><tr><td>5.0 m cable length</td></tr></table>	5.0 m cable length																
L	0	5	0	0	0																						
5.0 m cable length																											
Custom configuration	<table border="1"><tr><td>N</td><td>O</td><td>T</td></tr></table>	N	O	T			<table border="1"><tr><td>Not amplified signal</td></tr></table>	Not amplified signal																			
N	O	T																									
Not amplified signal																											
Electrical connection	<table border="1"><tr><td>c</td><td>a</td><td>b</td></tr></table>	c	a	b			<table border="1"><tr><td>Electrical wiring harness code (see on the right)</td></tr></table>	Electrical wiring harness code (see on the right)																			
c	a	b																									
Electrical wiring harness code (see on the right)																											

Custom configurations are available on request.

### Dimensions [mm]



Product image for illustration purposes only

BPE Electronics reserves the right to modify the technical data anytime, without advice

TC82 v.1.10 2019