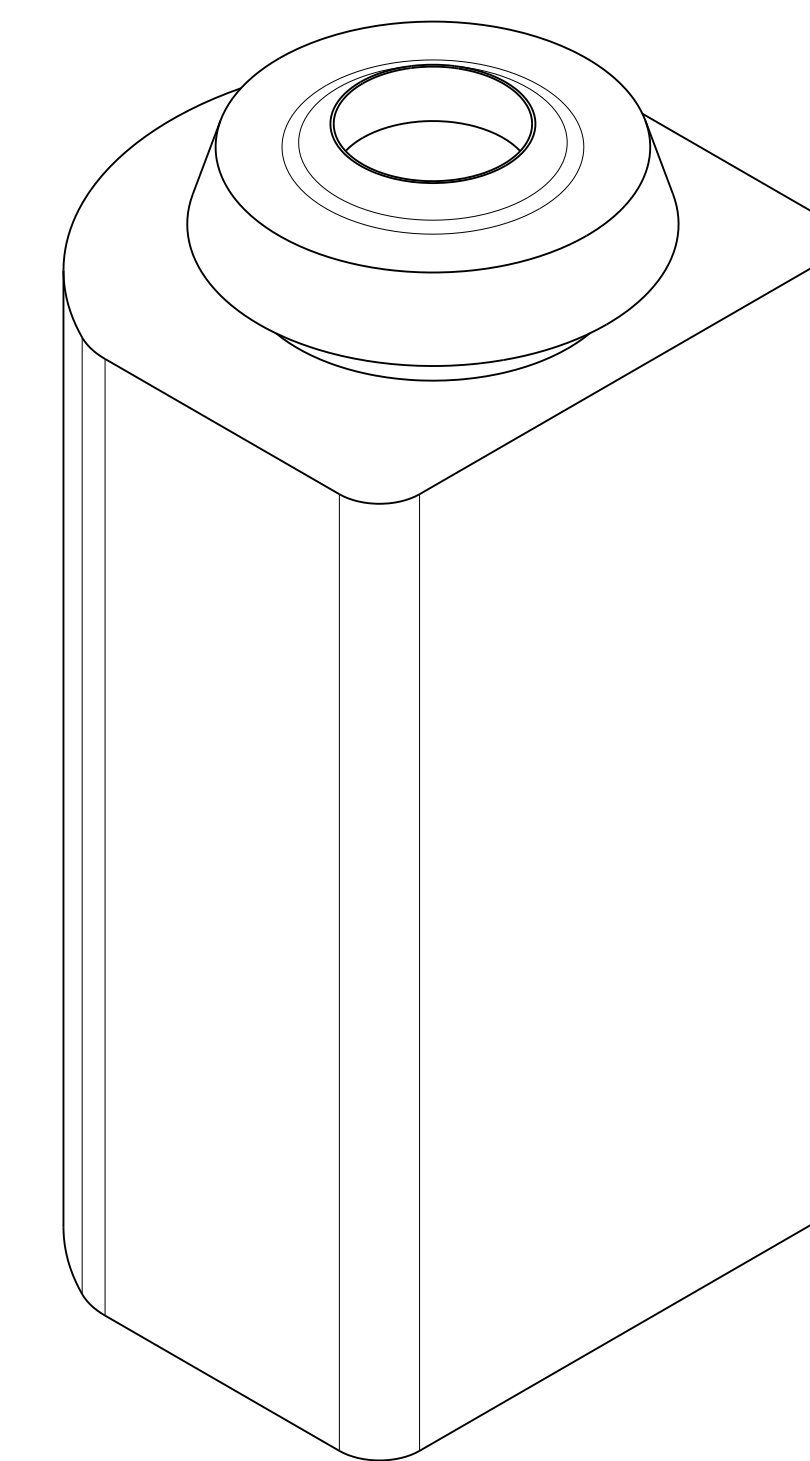


SECTION A-A



"HIGHLY" SUPPLIER PART NO. IS 4CYC00643

ITC CLASSIFICATION		THIRD ANGLE PROJECTION		 <small>United Technologies</small>		<small>THIS DOCUMENT AND THE INFORMATION CONTAINED THEREIN IS PROPRIETARY TO CARRIER CORPORATION AND SHALL NOT BE USED OR DISCLOSED TO OTHERS IN WHOLE OR IN PART WITHOUT THE WRITTEN AUTHORIZATION OF CARRIER CORPORATION.</small>	
MATERIAL		UNLESS OTHERWISE SPECIFIED DIMENSIONS ARE IN MILLIMETERS TOLERANCES ON:		TITLE			
NATURAL RUBBER		0 DEC ±-    1 DEC ±1.0    2 DEC ±0.50    ANG° ±2°		GROMMET COMP ASSY			
ENGINEERING REQUIREMENTS		NEXT DRAWING		DRAWING RELEASE LEVEL			
T-005, Y-002		48TC001226		Under Review			
MFG LOCATION		CAD MODEL		SIZE		REV ITR	
-		48TC001501 -.2		D		-	
WEIGHT		-		DRAWING NUMBER		SHEET 1 OF 1	
-		-		48TC001501		3	

\*\*\*\*\* END OF REV. -.3 \*\*\*\*\*

1	INITIAL RELEASE	12/29/15	GS-H	-	-	1086936	
REV	SHT	REVISION RECORD	DATE	BY	CHK	APP	AUTH NO.
		DRAWING NUMBER: 48TC001501	---				RELEASE LEVEL: Under Review

UNCONTROLLED WHEN PRINTED