

## PUSHBUTTON SWITCHES

### MINIATURE METAL PANEL SEALED PUSHBUTTON

This rugged panel sealed pushbutton is made of a special high creep strength non-spark zinc alloy suitable for use in mining or other potentially explosive atmospheres where dust and moisture are problematic.

#### APPLICATIONS

- Communications
- Instrumentation
- Data processing
- Process controls
- Transportation/ Material handling

#### KEY FEATURES:

- Panel sealed to IP67
- Momentary action
- Non-spark material
- 500,000 life cycles @ max power
- Impact resistant
- Gold contacts
- Wide temperature range: -55°C to +125°C

#### ORDERING INFORMATION:

Part Number	Bezel Style	Button Color*
59-111	Round	Black
59-112	Round	Red
59-113	Round	Green
59-211	Square	Black
59-212	Square	Red
59-213	Square	Green
59-311	High Round	Black
59-312	High Round	Red
59-313	High Round	Green

\*Consult factory for additional colors.

#### STANDARDS / AGENCY / RATINGS:



[www.itwswitches.com](http://www.itwswitches.com)

36

Contact an Authorized Distributor or Factory for Pricing

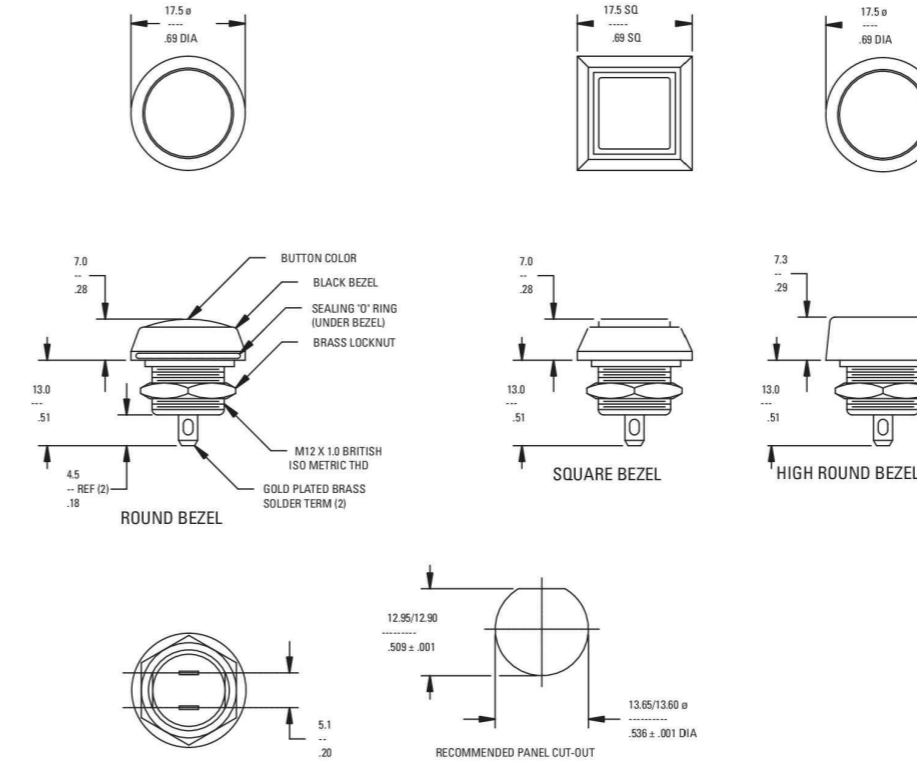
## Series 59



ACTUAL SIZE

## SERIES 59: MINIATURE PANEL SEALED METAL

### PRODUCT DRAWINGS



### PANEL MOUNTING AND CONSTRUCTION INFORMATION

The series 59 mounts easily into panels of minimum 1.5mm (.060 in.) and maximum 3mm (.118 in.) thickness. Front panel sealing to IP67 is achieved by a sealing "O" ring fitted into a premachined groove on the body of the switch before it is inserted into the panel hole cut-out. It is held onto the panel by means of a brass hex nut tightened down by a 14mm spanner, to a torque of between 1.5Nm to 3.0Nm to achieve the correct sealing pressure. A "D" flat is provided to prevent rotation.

Copyright © 2011 ITW Switches 2011

Designs and specifications are subject to change without notice due to product improvement.

37

## PUSHBUTTON SWITCHES

### MECHANICAL / ELECTRICAL CHARACTERISTICS:

- Travel (nom):** 2.3mm (.090 in.)
- Life (max):** 1,000,000 cycles
- Operating force (nom):** 3N / 306 grams
- Contact bounce (nom):** 1 millisecond
- Panel thickness (max):** 3mm (.118 in.)
- Dielectric strength:** 1000 VAC
- Insulation resistance:** 1 GΩ
- Contact resistance (initial):** 50 mΩ (Max)
- Current rating (typical):** 400mA at 32 VAC resistive  
100mA at 50 VDC resistive  
125mA at 125 VAC resistive
- Shock:** 100G
- Operating temp range:** -55°C to +125°C  
(-67°F to +257°F)
- Body material:** zinc alloy, black
- Button material:** PBT thermoplastic
- Contacts:** gold plated palladium nickel
- Terminals:** gold plated brass

**ITW Switches**  
SENSORS, SWITCHES, ELECTRONIC CONTROLS

800.544.3354

FIRMA PARÇA NUMARASI	59-112
RENK	KIRMIZI
CERCEVE STILI	YUVARLAK

Gerekli maddelerin numarasını yazın. (Write numbers of required items.)	Dokuman no (Document no)
	—
	—
	—
	—

KONU İLE İLGİLİ BÖLÜMLERİN ONAYI OLMADAN PARÇA ÜZERİNDE DEĞİŞİKLİK YAPILAMAZ.  
(DO NOT MODIFY ANY ITEMS WITHOUT PRIOR AUTHORISATION BY RELEVANT DEPARTMENTS.)

KRİTİK/ CRITICAL	ÖNEMLİ/ IMPORTANT	ÜST LİMİT/ UPPER LIMIT	ALT LİMİT/ LOWER LIMIT	CİZGİ YOKSA HER İKİ LİMİT/ NO LINE APPLIES TO BOTH LIMITS
Aksi belirtilmedigi sürece aşağıdaki bilgiler kullanılır Unless otherwise specified the general notes shall be applied				
Döküm toleransları? / Casting tolerances				
Genel işleme tol. / General machining tol.				
Çelik Kesme toleransları/Steel Stamping tol.				
Kaynak standartı / Welding standard				
Markalama standartı / Marking standard				
Delik-mil geçme / Shaft-hole fits				
İç köşe radyusları / Fillet radii				
Dış köşe radyusları / Edge radii				
Konik açısı / Draft angle				
Et kalınlığı / Wall thickness				
Dövme, Döküm no / Forging, Casting no				
Parça simetriklik, Eksen /The part is sym. Axis				
Yüzey pürüzlülüğü / Surface roughness				
Isıl işleme / Heat treatment				
Çapak ve keskin köşe olmamalıdır Must be free of burrs and sharp edges				

METRİK METRIC	RESİM ÜZERİNDEN ÖLÇÜ ALINMAZ DO NOT SCALE THIS DRAWING				
Malzeme : Material	—				
Yüzey Koruma : Surface Protection	—				
Faydalanılan Resim No : Similar Drawing no	—	1	SERİ İMALAT İCİNDİR	55/1000/29-011	S.A.
Parça Ağırlığı : Part Weight	—	Baskı Issue	Değişiklikler / Changes	Değiştiren Changed by	Tarih Date
Çizen Drawn by	YILMAZ SATILMIS	17.11.2017	Parça adı /Item name:	KIRPI 400	
Kontrol Checked by	G.GUNAY		KOSELI METAL BUTON KIRMIZI		
Kontrol Checked by			Resim no /Drawing no:	55RS865325	
Onay Approved by	S.AKTAS		Ölçek / Scale:	—	Sayfa /Page: 1 / 1
BMC Otomotiv Sanayi ve Ticaret A.Ş. Kemalpaşa Cad. No: 288 35050 Pinarbaşı, İZMİR - TÜRKİYE					
Bu dokümanın tüm hakları BMC Otomotiv Sanayi ve Ticaret A.Ş.'ye aittir. BMC Otomotiv Sanayi ve Ticaret A.Ş.'nin izni olmadan kısmen veya tamamen kullanılamaz, çoğaltılamaz, 3. şahıslara verilemez. All rights of this document are the property of BMC Otomotiv Sanayi ve Ticaret A.Ş. It can not be used, copied, reproduced, made available to any third party in whole or part without written permission of BMC Otomotiv Sanayi ve Ticaret A.Ş.					