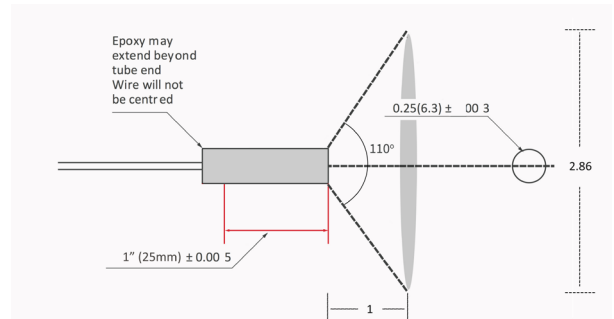


MICRO IRt/C

Product Overview

The Micro IRt/c features:

- Infrared Thermocouple IRt/c
- Non-contact
- Self-powered
- Intrinsically Safe
- Repeatability 0.02°F (0.01°C)
- Interchangeability ±1%
- Resolution approx. 0.0003°C
- Small Size



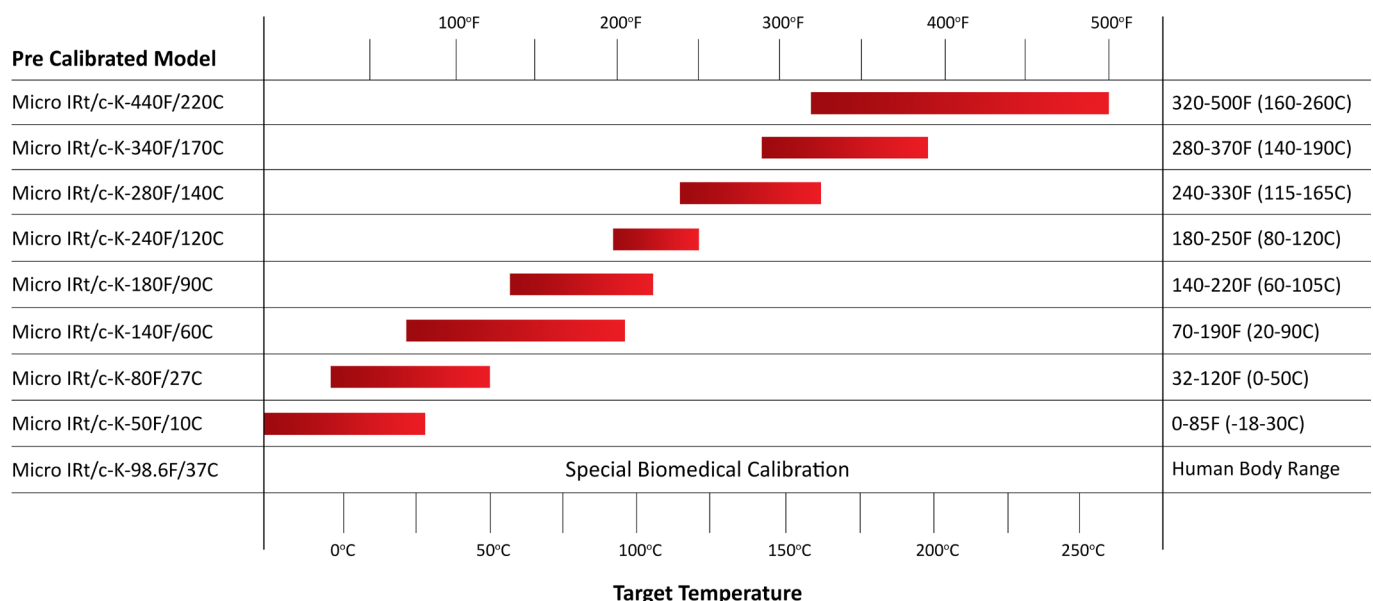
Technical Data

| | | | |
|---------------------------|---|----------------------------|---|
| Sensing Range | 0 to 975°F (-18 to 524°C) | Dimensions | 0.25" (6.3mm) Dia. x 1.0" (25.4mm) |
| Ambient Temperature Range | -29 to 185°F (-20 to 85°C) permanent -29 to 212°F (-20 to 100°C) non permanent. Air Purge jacket available for cooling to 347°F (175°C) | Housing | Stainless Steel, Hermetically sealed, exceeds NEMA 4X, IP67 |
| Optimum Range Selections | Eight models per t/c type (see Temperature Selection Chart) | Cable | 3 feet of unshielded, duplex insulated, type K, 24 AWG, PFA jacket rated to 500°F (260°C) (Shielded cable available upon request) |
| Field of View | approximately 1:2 (110°) | Weight | Approximately 1oz. (30 grams) with cable |
| Minimum Spot Size | .1" (3mm) | Input Device Compatibility | It is recommended to use input devices with less than 1 nA of leakage current to minimize offsets, and sensor break detection should be set to 45 Kohm maximum. |
| Spectral Response | 5.5 to 20μm | | |
| Output Impedance | 17-45 Kohms | | |
| Response Time | 50 Milliseconds | | |

Calibration

Ordering information **Micro IRt/c-K-** (Precalibrated Temperature Range).

Temperature Selection Chart



Exergen Global offices:

The Netherlands
Pastoor Clercxstraat 26
5465 RH Veghel
Tel: +31 (0)413 376 599
Fax: +31 (0)413 379 310

USA
400 Pleasant Street
Watertown, MA 02472
Tel: +1 617 649 6322
Fax: +1 617 923 9911

Specifications subject to change without notice

office@exergenglobal.com
www.exergenglobal.com