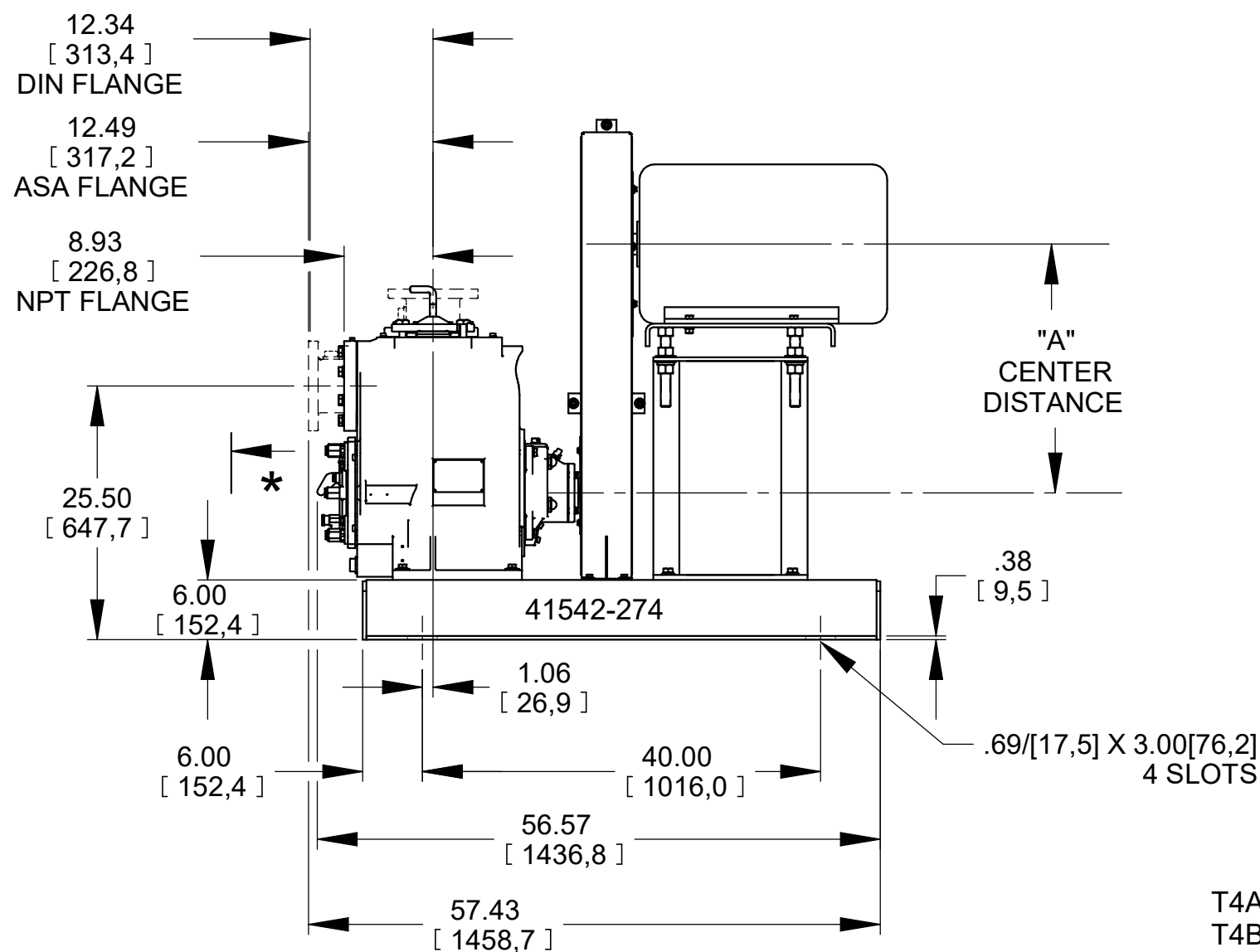
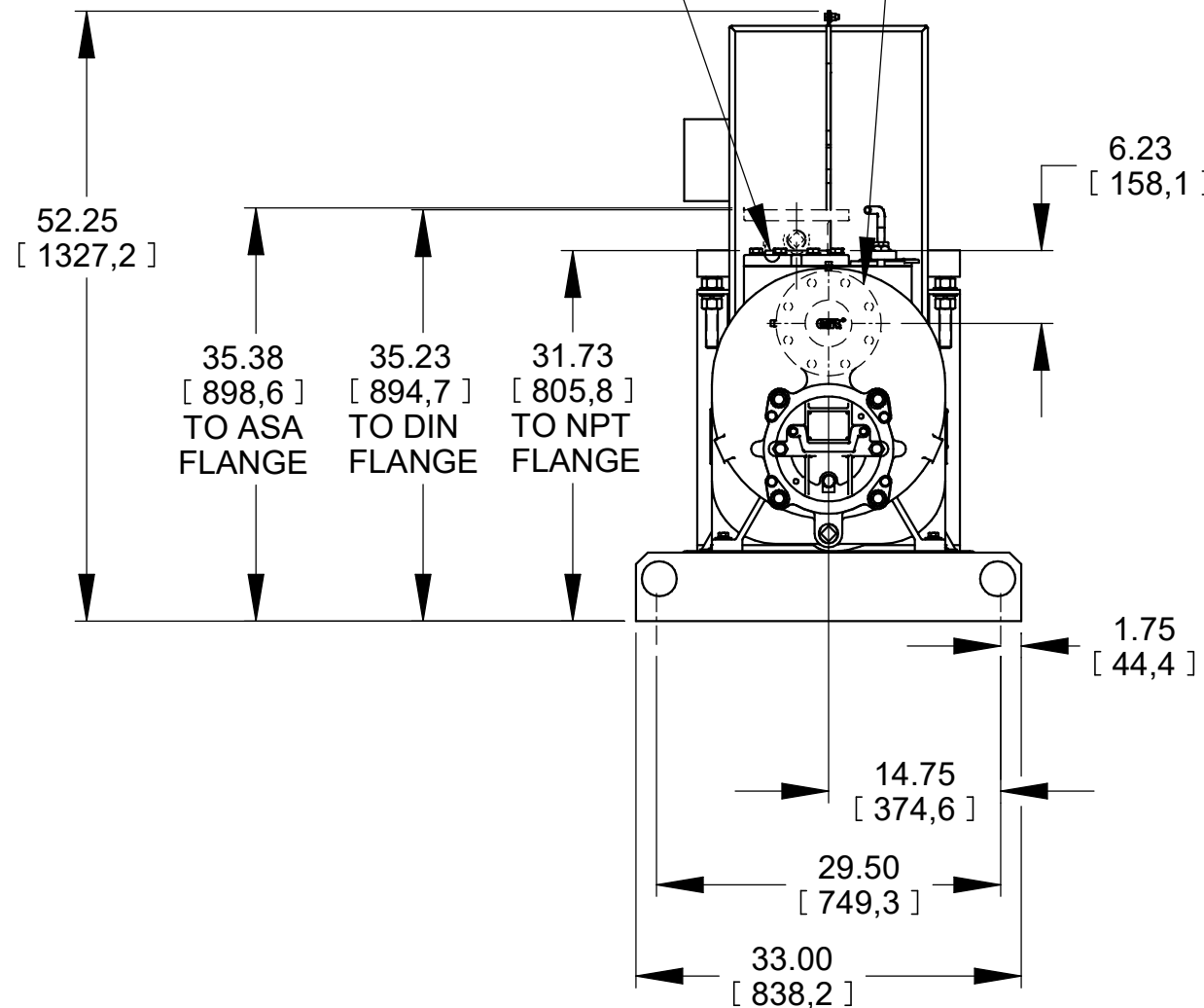
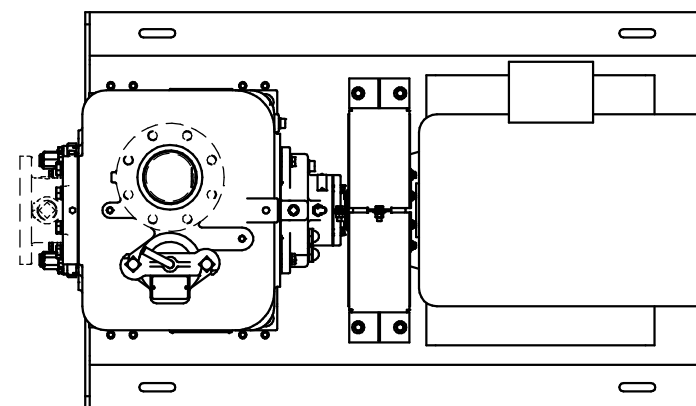


*18.00/[457,2] RECOMMENDED FOR REMOVAL OF BACK COVER PLATE
 T4AS-B / T4CSC-B - 10.00/[254,0] REQUIRED FOR REMOVAL OF BACK COVER PLATE
 T4BS-B - 11.50/[292,1] REQUIRED FOR REMOVAL OF BACK COVER PLATE

MOTOR FRAME	"A" CENTER DISTANCE
182T - 184T	21.50 [538,5]
213T - 215T	22.25 [565,2]
254T - 256T	23.25 [590,6]
284T - 286T	24.00 [609,6]
324T - 326T	25.00 [635]

DISCHARGE:
STANDARD 4.00-8 NPT
OPTIONAL SPOOL FLANGE:
4.00 ASA OR
100 MM DIN 2527 (PN16)

SUCTION:
STANDARD 4.00-8 NPT
OPTIONAL SPOOL FLANGE:
4.00 ASA OR
100 MM DIN 2527 (PN16)



T4AS-B
T4BS-B
T4CSC-B

DIMENSIONS:
INCHES
[MILLIMETERS]



THE GORMAN-RUPP CO.
 MANSFIELD, OHIO ST. THOMAS, ONTARIO

DRAWN BY TAG
DATE 5-11-16

SCALE 1/16
REVISED 12-17-19

MODEL NOTED
OUTLINE NUMBER 19264