



DATA SHEET

| | |
|------------|------------|
| Customer: | |
| Ref.: | |
| Order: | |
| Motor: | |
| Serial nr: | |
| Date: | 13-02-2020 |

ASYNCHRONOUS MOTOR 4A 712-2

Nameplate data:

Code: 112299

| Type: | 4A 712-2 | | | IP55 | F/B | Amb. temp.: Max. 45° | | |
|-------|----------|-----------|------|------|------|----------------------|------|------------|
| kW | Hz | V | A | Rpm | Cos | Eff. | Duty | IE.class |
| 0,55 | 50 | 220-240 D | 2,26 | 2790 | 0,82 | 74,0% | S1 | IE1-(Eff2) |
| 0,55 | 50 | 380-415 Y | 1,30 | 2790 | 0,82 | 74,0% | | |
| 0,66 | 60 | 440-480 Y | 1,36 | 3348 | 0,82 | 74,0% | | |

Description:

| | |
|---------------------|-------------|
| Mounting form: | B3/B5 |
| Bearing DE: | 6202-2Z/C3 |
| Bearing NDE: | 6202-2Z/C3 |
| Weight - Kg.: | 6,6 |
| Heater: | No Heater |
| PTC: | PTC mounted |
| Kgm ² : | 0,0009 |
| Sound press.-db(A): | 30,0 |

Other:

| | |
|--|--|
| | |
| | |
| | |
| | |
| | |
| | |
| | |
| | |
| | |
| | |

Test data S1-duty, Amb.temp 40°C:

| | |
|---|------|
| Voltage - V: | 400 |
| Frequency - Hz: | 50 |
| Power - kW: | 0,55 |
| Full load speed - Rpm: | 2790 |
| Full load current - A: | 1,30 |
| Full load power factor - Cos: | 0,82 |
| Locked rotor current - A: | 7,9 |
| Locked rotor factor - A _{st} /A _n : | 6,1 |

| | |
|---|-------|
| Efficiency 100% load - %: | 74,0% |
| Efficiency 75% load - %: | |
| Efficiency 50% load - %: | |
| Full load torque - Nm: | 1,9 |
| Locked rotor torque - Nm: | 4,3 |
| Locked rotor torque - Nm _{st} /Nm _n : | 2,3 |
| Max. Pull out torque - Nm: | 4,3 |
| Max. Pull out torque. - Nm _{st} /Nm _n : | 2,3 |

| Over load/speed test | kW | Hz | V | A | Rpm |
|---------------------------|------|----|-----------------------|------|------|
| Over load 160% - 15sec. | 0,88 | 50 | 400 | 2,08 | 2790 |
| Over speed 125% - 2 min. | 0,55 | 63 | 400 | 1,30 | 3488 |
| H-Pot test voltage: 1800V | | | Temp. rise in stator: | | |

The motor is produced in accordance with following harmonized standards:
IEC60034-1, IEC60034-2, IEC60034-5, IEC60034-6, IEC60034-7, IEC60034-8, IEC60034-9
IEC60034-12, IEC60034-14, IEC60034-30, IEC60072.

Additional specifications in accordance with:
RINA - GL - LRS - BV - DNV - ABS - KR - RR - CCS - CCC - RMRS.

Bevi Group:

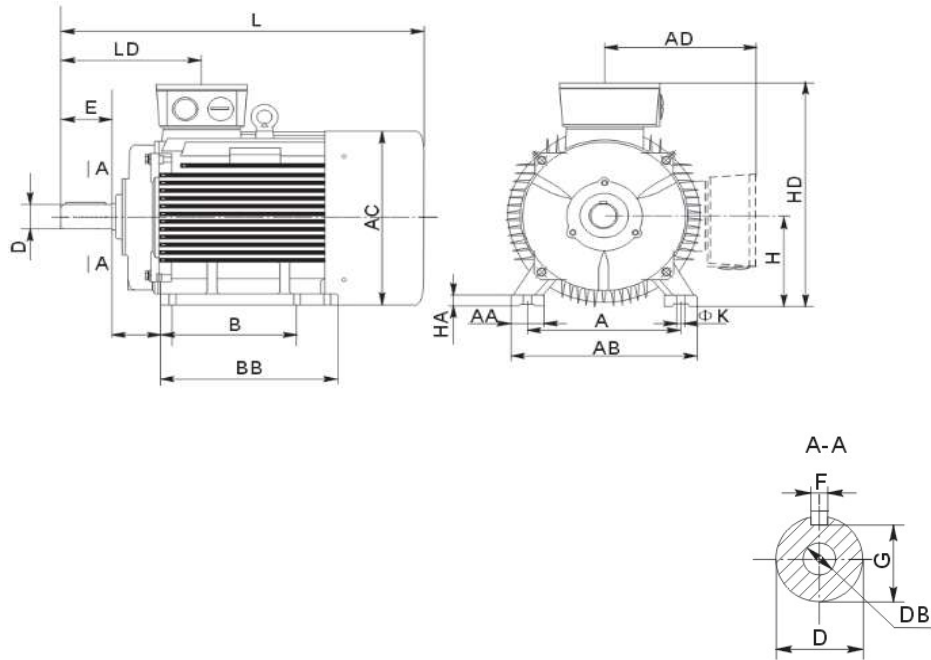
| | | | |
|-----------------------------|-------------|---------------|------------------|
| BEVI AB, Sweden | www.bevi.se | sales@bevi.se | +46 499 271 00 |
| BEVI A/S, Denmark | www.bevi.dk | bevi@bevi.dk | +45 39 67 36 05 |
| BEVI Norge A/S, Norway | www.bevi.no | info@bevi.no | +47 22 07 66 50 |
| BEVI Finland OY AB, Finland | www.bevi.fi | info@bevi.fi | +358 9 2709 1210 |
| BEVI CHINA, China | www.bevi.cn | sales@bevi.cn | +86 21 5032 5200 |



DATA SHEET

| | |
|------------|------------|
| Customer: | |
| Ref.: | |
| Order: | |
| Motor: | |
| Serial nr: | |
| Date: | 13-02-2020 |

**Foot mounted motor
4A 712-2 B3**



| | | |
|---------|-------------|--------|
| A: 112 | HD: 200 | E: 30 |
| B: 90 | C: 45 | D: 14 |
| AB: 150 | H: 71 | G: 11 |
| AC: 145 | K: 7 | DB: M5 |
| AD: 127 | L: 245 | F: 5 |
| LD: 0 | L (V1): 295 | |

Bevi Group:

BEVI AB, Sweden
 BEVI A/S, Denmark
 BEVI Norge A/S, Norway
 BEVI Finland OY AB, Finland
 BEVI CHINA, China

www.bevi.se
 www.bevi.dk
 www.bevi.no
 www.bevi.fi
 www.bevi.cn

sales@bevi.se
 bevi@bevi.dk
 info@bevi.no
 info@bevi.fi
 sales@bevi.cn

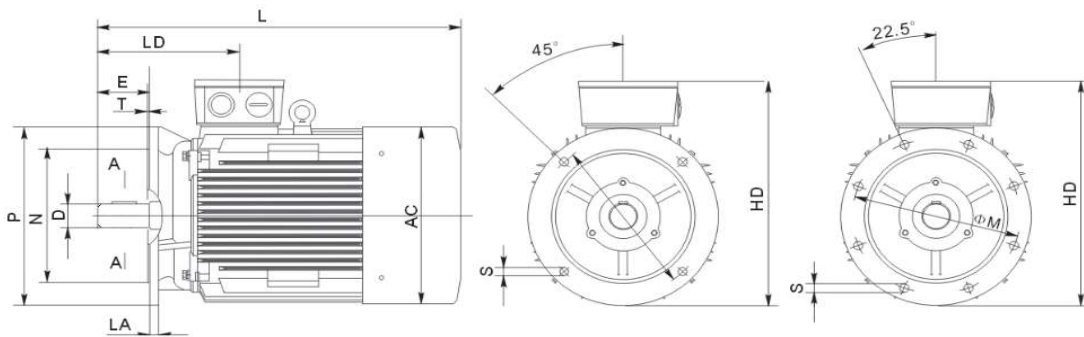
+46 499 271 00
 +45 39 67 36 05
 +47 22 07 66 50
 +358 9 2709 1210
 +86 21 5032 5200



DATA SHEET

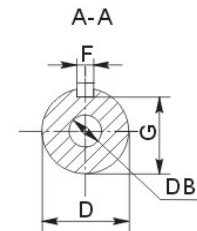
| | |
|------------|------------|
| Customer: | |
| Ref.: | |
| Order: | |
| Motor: | |
| Serial nr: | |
| Date: | 13-02-2020 |

Flange mounted motor 4A 712-2 B5



IEC 56-200

IEC 225-400



| | | |
|--------|-------------|--------|
| M: 130 | HD: 200 | E: 30 |
| N: 110 | L: 245 | D: 14 |
| P: 160 | L (V1): 295 | G: 11 |
| S: 10 | LD: 0 | DB: M5 |
| | | F: 5 |

Bevi Group:

BEVI AB, Sweden
 BEVI A/S, Denmark
 BEVI Norge A/S, Norway
 BEVI Finland OY AB, Finland
 BEVI CHINA, China

www.bevi.se
www.bevi.dk
www.bevi.no
www.bevi.fi
www.bevi.cn

sales@bevi.se
bevi@bevi.dk
info@bevi.no
info@bevi.fi
sales@bevi.cn

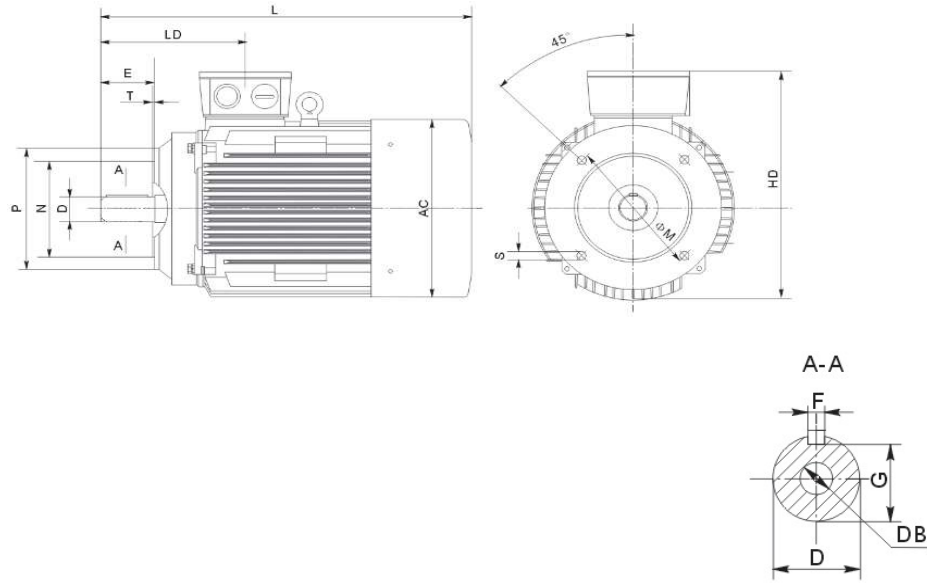
+46 499 271 00
 +45 39 67 36 05
 +47 22 07 66 50
 +358 9 2709 1210
 +86 21 5032 5200



DATA SHEET

| | |
|------------|------------|
| Customer: | |
| Ref.: | |
| Order: | |
| Motor: | |
| Serial nr: | |
| Date: | 13-02-2020 |

**Flange mounted motor
4A 712-2 B14A + (B14B)**



| Flange type: | B14A | B14B | | |
|--------------|------|------|---------|-----|
| M: | 85 | 115 | HD: | 200 |
| N: | 70 | 95 | L: | 245 |
| P: | 105 | 140 | L (V1): | 295 |
| S: | M6 | M8 | LD: | 0 |
| | | | E: | 30 |
| | | | D: | 14 |
| | | | G: | 11 |
| | | | DB: | M5 |
| | | | F: | 5 |

Bevi Group:

BEVI AB, Sweden
 BEVI A/S, Denmark
 BEVI Norge A/S, Norway
 BEVI Finland OY AB, Finland
 BEVI CHINA, China

www.bevi.se
 www.bevi.dk
 www.bevi.no
 www.bevi.fi
 www.bevi.cn

sales@bevi.se
 bevi@bevi.dk
 info@bevi.no
 info@bevi.fi
 sales@bevi.cn

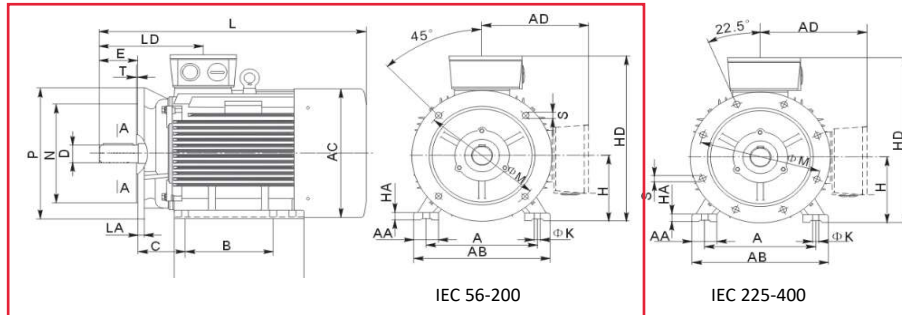
+46 499 271 00
 +45 39 67 36 05
 +47 22 07 66 50
 +358 9 2709 1210
 +86 21 5032 5200



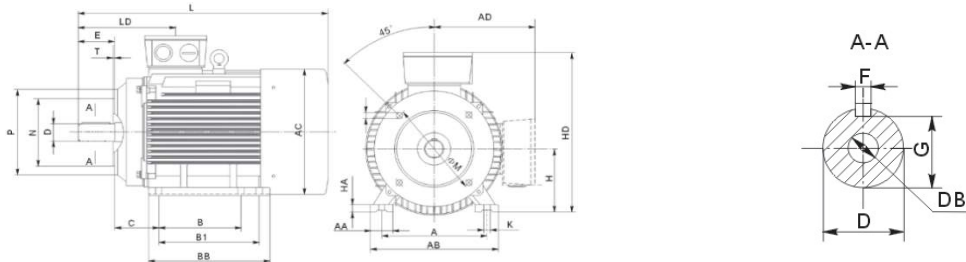
DATA SHEET

| | |
|------------|------------|
| Customer: | |
| Ref.: | |
| Order: | |
| Motor: | |
| Serial nr: | |
| Date: | 13-02-2020 |

Foot & flange mounted motor 4A 712-2 B3/B5



4A 712-2 B14A + (B14B)



Flange type: B5

M: 130
N: 110
P: 160
S: 10

B14A

M: 85
N: 70
P: 105
S: M6

(B14B)

M: 115
N: 95
P: 140
S: M8

A: 112
B: 90
AB: 150
AC: 145
AD: 127
LD: 0

HD: 200
C: 45
H: 71
K: 7
L: 245
L (V1): 295

E: 30
D: 14
G: 11
DB: M5
F: 5

Bevi Group:

BEVI AB, Sweden
BEVI A/S, Denmark
BEVI Norge A/S, Norway
BEVI Finland OY AB, Finland
BEVI CHINA, China

www.bevi.se
www.bevi.dk
www.bevi.no
www.bevi.fi
www.bevi.cn

sales@bevi.se
bevi@bevi.dk
info@bevi.no
info@bevi.fi
sales@bevi.cn

+46 499 271 00
+45 39 67 36 05
+47 22 07 66 50
+358 9 2709 1210
+86 21 5032 5200