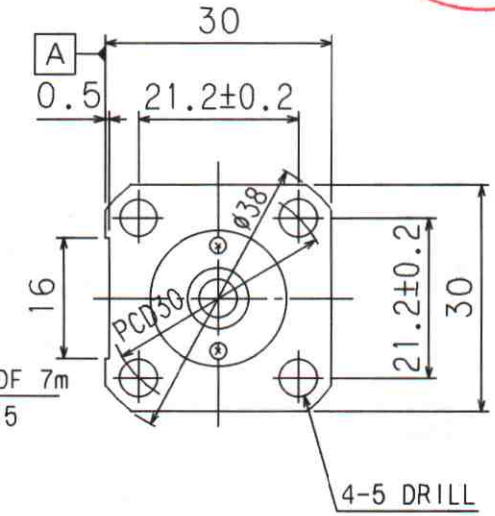
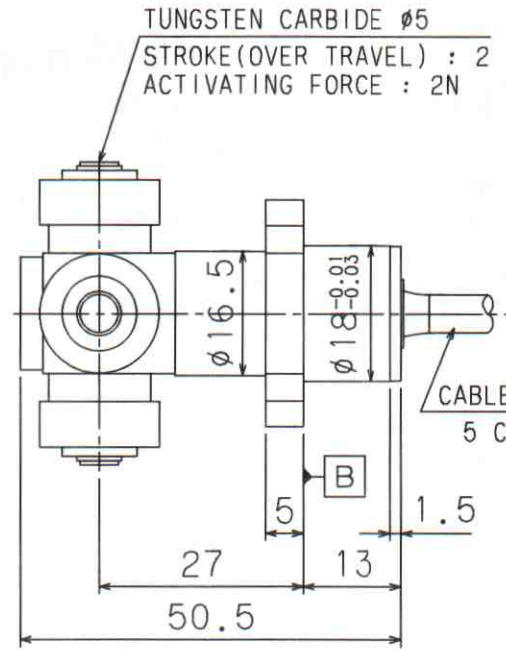
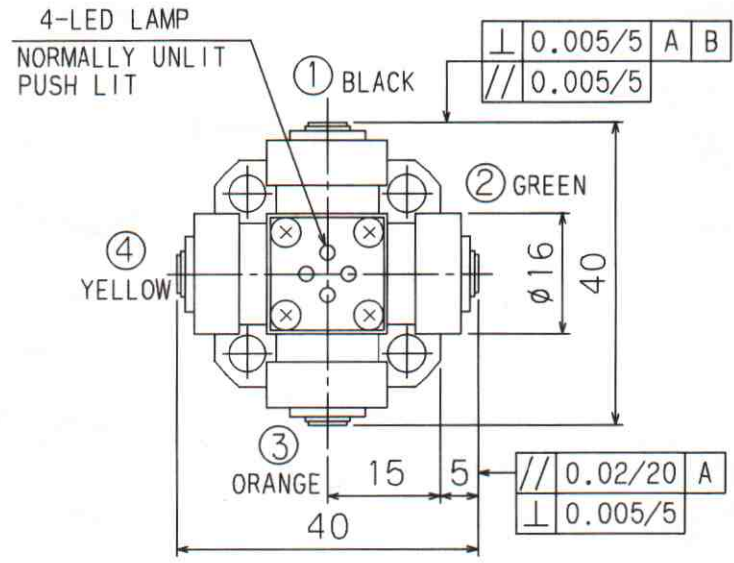
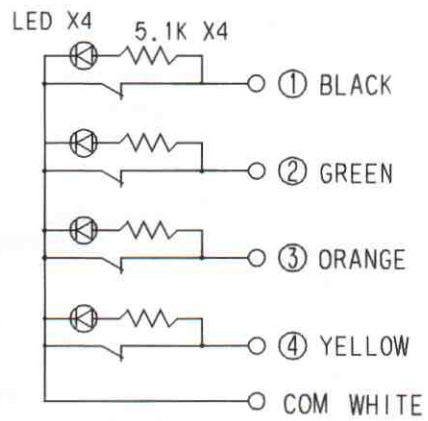


REPEATABILITY OF SKIP SIGNAL : 0.001mm
 RECOMMENDED OPERATING SPEED : 50~200mm/min
 CONTACT RATING : DC24V 10mA
 DEGREES OF PROTECTION : IEC IP67



SET NUMBER H4A-12-05S
 COMPOSITION [SENSOR HEAD H4A-12-05H
 POLARITY CONVERTOR NUIT BA-4A



APR	CHK	DRA
<i>Am</i>	<i>Am</i>	02.2.5 HIJIKATA

	NAME	TOOL SETTING PROBE
	DRAWING NUMBER	H4A-12-05S
1/1		