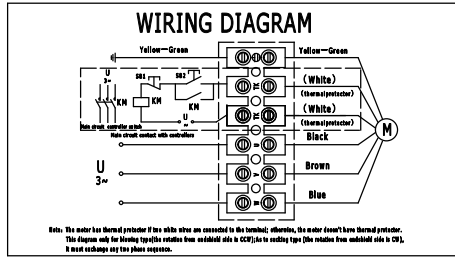


DRAWING NO

Wiring diagrams:

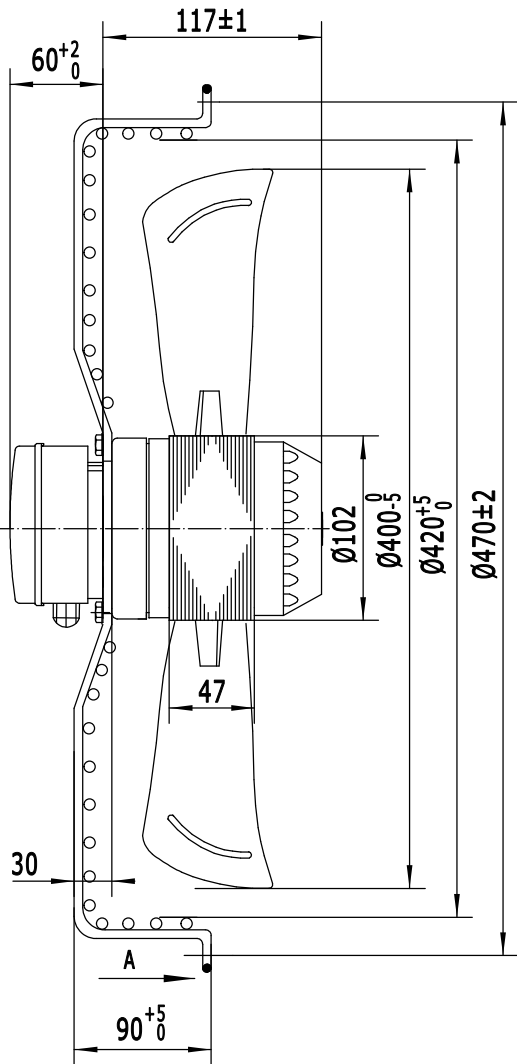
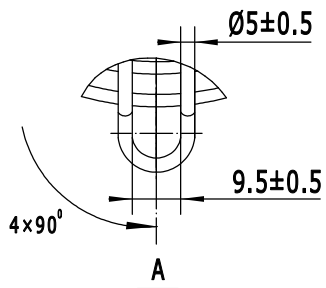


ErP2015 LABEL:

ErP2015 (N40)
 $N=44.23 \quad \eta_{statA} = 33.6\%$
 YWF4D-400S-P102/47

LABEL:

WEIGUANG Axial Fan Motor
 YWF4D-400S
 P102/47-G
 380V 50Hz 0.47A 110/180W
 1380r/min CL.B XX/XX



WEIGUANG Axial fan motor

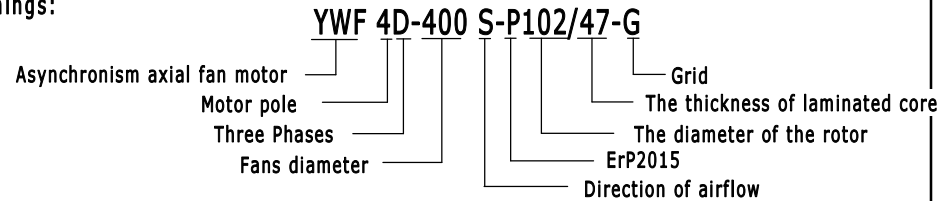
HANGZHOU WEIGUANG ELECTRONIC CO.,LTD

Unit: axial fan motor Type:
 Motor: Three phases motor Customer:
 Motor type: YWF4D-400S-P102/47-G Customer-type:

TYPE	Voltage v	Frequency Hz	Input power W	Current A	Speed r/min +/-5%	Air volume m ³ /h	noise level dBA	capacitor μ F/ VDB
YWF4D-400S-102/47-G	380	50	180	0.47	1380	3880(20Pa)	67	/

Insulation class : B Operating type: S₁
 Permissible ambient temperature : -30~60°C Temperature increase: $\Delta T \leq 75K$
 Motor protection: thermocontact 135±5°C Bearings: ball bearings
 License: CE CCC

Model meanings:



Electrical connection: lead wire Silikon 6G 0.50mm², Length 100mm in terminal box connected
 Direction of rotation: clockwise(sucking), Airflow direction: "S" looking at rotor side

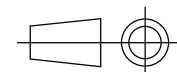
APPROX. WEIGHT

MEANS

REV.	DESCRIPTION	APPROVED	DATE	DECIMAL	TOLERANCE	SIGN	DATE
				X	±0.5	DRN. BY	
				X.X	±0.25	CHD. BY	
				X.XX	±0.15	ENG. BY	
				ANGLE	±3°	APP. BY	

TITLE
YWF4D-400S-P102/47-G

PROJECTION



A4
 SCALE
 SHEET: of