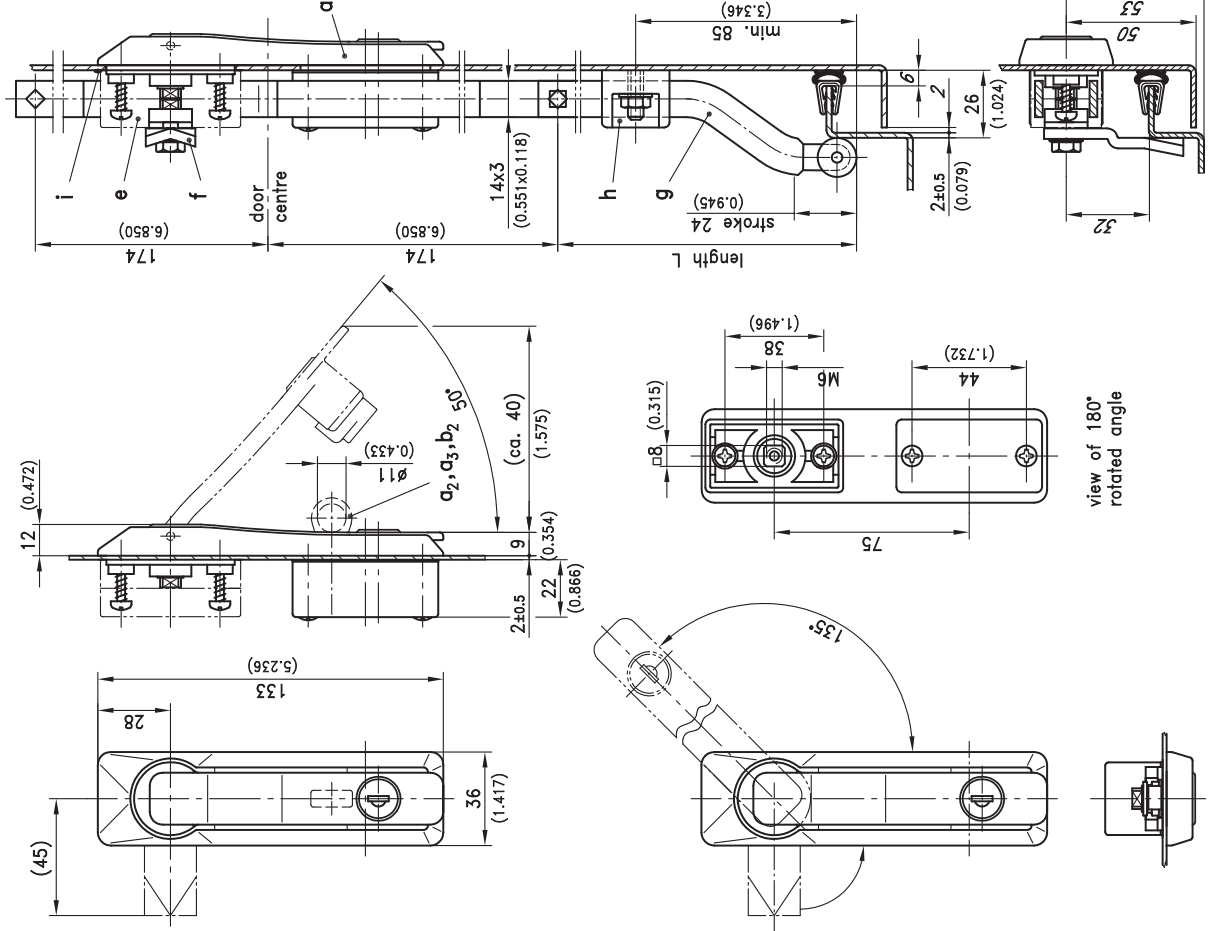


Swinghandle TRIMLINE
low profile version for Rod Latch
and cutout version B 50x25mm



a) Swinghandle TRIMLINE with cylinder, IP65 keyed alike DIRAK 1333*	zinc die chrome plated 407-9005	zinc die black coated 407-9001	zinc die handle zinc die, black 407-9021	dish PA, black 407-9022
keyed alike DS200*	507-9005	507-9001	507-9021	507-9022
keyed different/mixed	407-9006	407-9002	407-9022	
a1) Swinghandle TRIMLINE for inserts, IP65	407-9103	407-9101	407-9117	
a2) Swinghandle TRIMLINE for cylinder + padlock eye keyed alike DIRAK 1333*	407-9033	407-9035		
keyed different/mixed	407-9034	407-9036		
a3) Swinghandle TRIMLINE for inserts + padlock eye	407-9113	407-9114	407-9123	
Inserts must be ordered separately, see c). Locking stub included in handle-assembly.				
Combined Swinghandles				
b) Swinghandle TRIMLINE with cylinder, IP65 keyed alike DIRAK 1333*	zinc die, chrome 407-9015	zinc die, black 407-9015	zinc die, chrome 407-9009	PA, black zinc die, chrome 407-9025
keyed alike DS200*	507-9015	507-9015	507-9009	507-9025
keyed different/mixed	407-9016	407-9016	407-9010	407-9026
b1) Swinghandle TRIMLINE for inserts, IP65	407-9107	407-9105	407-9119	
b2) Schwenkhebel TRIMLINE for inserts + padlock eye	407-9115	407-9116	407-9124	
Inserts must be ordered separately, see c). Locking stub included in handle-assembly.				
c) Inserts refer to page 2-141				
d) Assembly of inserts			207-0016	
Optional:				
e) Rod latch RH/LH with round rod stubs			208-9021	
e1) Rod Latch RH/LH with square quick-fit stubs			208-9022	
f) Cam with screw on page 3-130 or 3-162				
g) Flat Rods on page 3-160 or 3-161				
h) Rod Guide on page 3-160 or 3-910			208-1501.03	
h1) Rod Guide, two halves on page 3-160 or 3-910			208-1502.02	
Please order 4 pcs. per rod (2 pcs. - one guide)				
i) Grounding/earthing device on page 3-910			208-1201.04	

* With stainless dust shutter

07/31/07



Swinghandle TRIMLINE for Rod Latch and Flat Rods.

- RH or LH application.
- Water- and dust-tight according to IP65 EN 60529.
- Version for 3-point cam and Round Rods on page 2-070.
- Detailed dimensions of cutout version B on page 3-070.

Material:

- a₁), a₂) and a₃)
- **Handle:** zinc die, chrome plated or black coated
- **Dish:** zinc die, chrome plated or black coated or PA, black a₂)
- **Padlock eye:** AISI 316 b₁), b₂) and b₃)
- **Handle:** zinc die, chrome plated or black coated
- **Dish:** zinc die, chrome plated or black coated or PA, black b₂)
- **Padlock eye:** AISI 316 c)
- **Inserts:** zinc die, chrome plated e) and e₁)
- **Rod latch:** zinc die f)
- **Cam:** steel, zinc plated g)
- **Flat Rod:** steel, zinc plated h)
- **Rod Guide:** PA, black h₁)
- **Rod Guide:** zinc die, black i)
- **Grounding/earthing device:** AISI 304