

DIAPHRAGM PUMPS

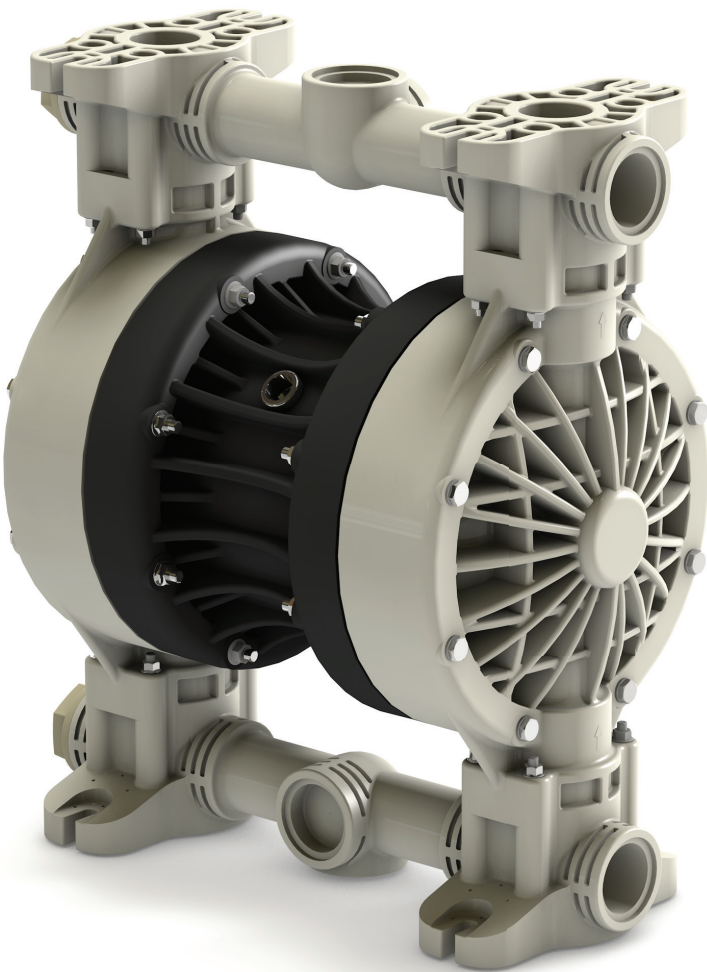
BOXER 522




MADE IN ITALY



- **Made in Italy product**
- **Patented** stall protection pneumatic circuit
- Works with **non**-lubricated air
- **Self priming**
- Runs dry without damage
- Possibility of adjusting the pumping speed
- Versatility of use
- Wide range of materials compatible with the pumped fluid
- Particularly suitable for heavy duty applications
- Atex zone 1 (*on request*) - Atex zone 2 standard
- Customisable suction/delivery fitting position (*on request*)
- Available with NPT connections (on request)
- Diaphragms with "long life" profile
- Diaphragms in various materials
- Suitable for pumping high viscosity fluids
- High performance
- High power and sturdiness
- Continuous operation: YES
- Warranty: 1 year - according to our general conditions of sale
- Spare parts: to identify the spare parts check the illustrations at the end of the operation and maintenance manual



 **STANDARD:** II 3/3 GD c IIB T135°C (zone 2)
CONDUCT: II 2/2 GD c IIB T135°C (zone 1)

Intake/delivery connections G 2" f o DN 50 (*) - flow rate 650 l/min

Construction materials PP - PP+CF - PVDF

(*) NPT connections on request



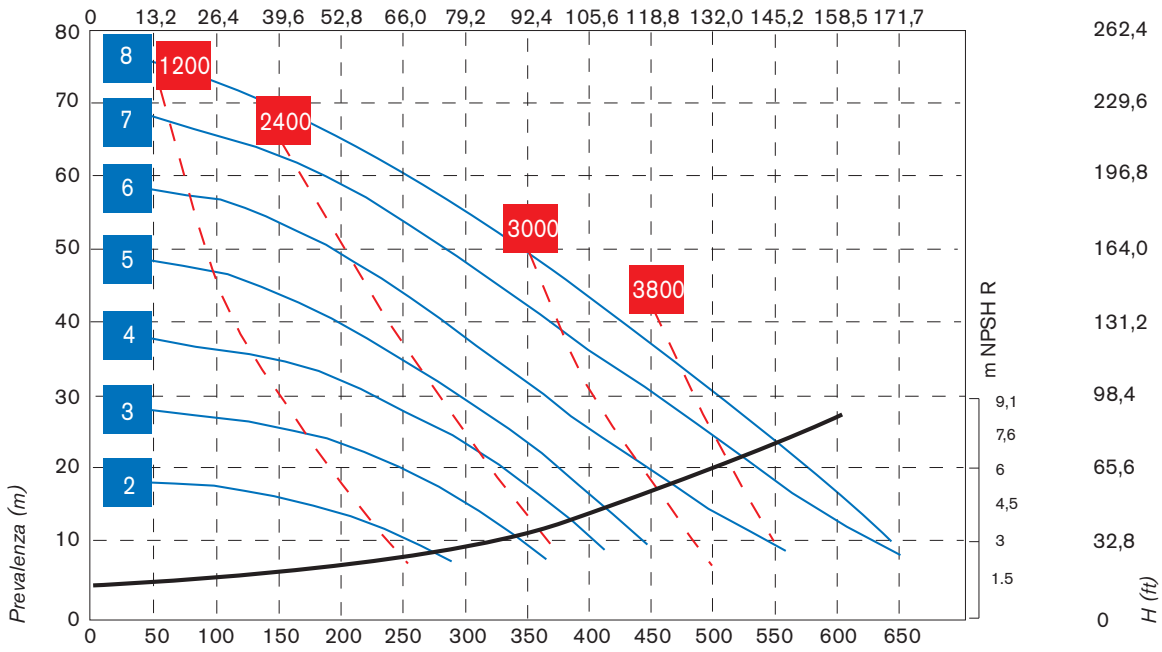
DIAPHRAGM PUMPS

BOXER 522



STANDARD: II 3/3 GD c IIB T135°C (zone 2)
CONDUCT: II 2/2 GD c IIB T135°C (zone 1)

Q (U.S. g.p.m.)



■ Air supply pressure (bar) ■ Air consumption (NI/min) Flow rate (litres/min)

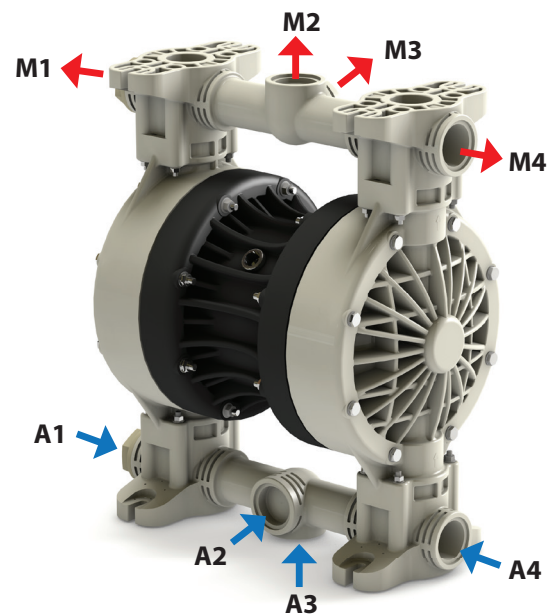
* The curves and performance values refer to pumps with submerged suction and a free delivery outlet with water at 20°C, and vary according to the construction material. ** Attention: average values refer to the various configurations of materials for balls, ball seats and diaphragms.

Guaranteed head/flow rate according to ISO 9906

Intake/delivery connections	G 2" f o DN 50 (*)
Air connection	G 1/2" f
Max. flow rate*	650 l/min
Max. air supply pressure	8 bar
Max. head*	80 m
Max. self-priming capacity**	5 m
Max. stored neg. suction	9,5
Max. diameter of passing solids	8 mm
Noise**	80 dB
Displacement per cycle	1.825 cc
Max. viscosity	50.000 cps

(*) NPT connections on request

Construction materials and net weight	PP	38 Kg	Temp. 3°C min. 65°C max.
	PP+CF	38 Kg	Temp. 3°C min. 65°C max.
	PVDF	45 Kg	Temp. 3°C min. 95°C max.



BOXER 522 (PLASTIC): A1-A2-A3-A4-M1-M2-M3-M4

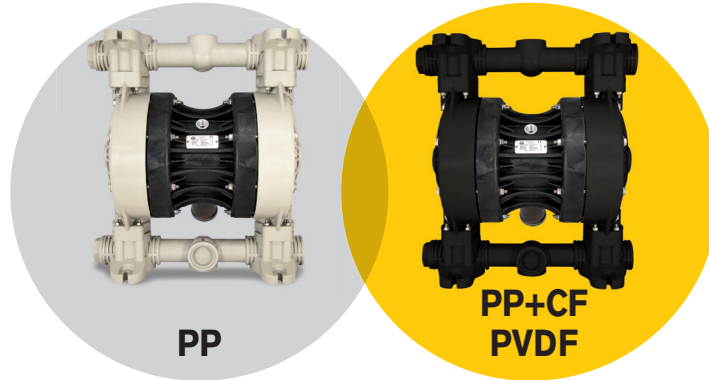
DIAPHRAGM PUMPS

BOXER 522



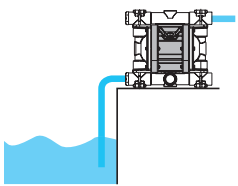
Ex STANDARD: II 3/3 GD c IIB T135°C (zone 2)
 CONDUCT: II 2/2 GD c IIB T135°C (zone 1)

AVAILABLE MATERIALS

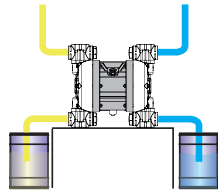


INSTALLATIONS

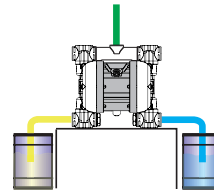
SELF PRIMING



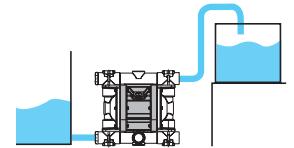
TWIN SUCTION AND DELIVERY MANIFOLD



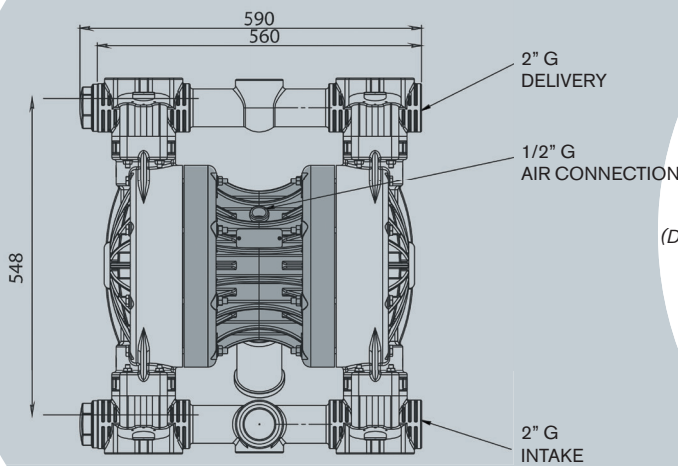
TWIN SUCTION MANIFOLD



POSITIVE SUCTION HEAD

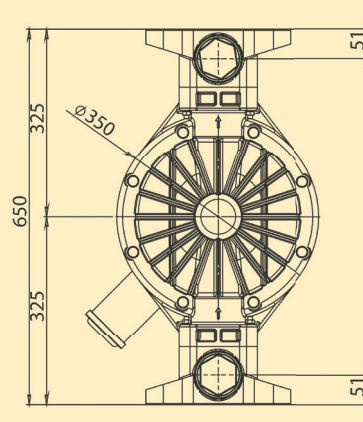


B522
PP/PP+CF/PVDF



(Dimensions in mm)

B522
PP/PP+CF/PVDF



Packaging: wooden crate - 66 x 61 x 38 cm - weight: 2.9 Kg
 (the weight only refers to the packaging without the pump inside).

DIAPHRAGM PUMPS

BOXER 522



Ex STANDARD: II 3/3 GD c IIB T135°C (zone 2)
 CONDUCT: II 2/2 GD c IIB T135°C (zone 1)

BOXER COMPOSITION CODE

ex. **IB522P-HTTPV--**

Internal Exchanger, Boxer 522, body PP, air side diaphragm Hytrel®, fluid side diaphragm PTFE, balls PTFE, ball seats PP, O-Ring Viton®.

I	B522	P	H	T	T	P	V	-	-
INTERNAL EXCHANGER	PUMP MODEL	PUMP BODY	AIR SIDE DIAPHRAGM	FLUID SIDE DIAPHRAGM	BALLS	BALL SEATS	O-RING	TWIN MANIFOLD	CONDUCT VERSION
I	B522 - Boxer 522	P - PP PC - PP + CF FC - PVDF + CF	H - Hytrel® M - Santoprene® D - EPDM N - NBR	T - PTFE*	T - PTFE A - AISI 316 D - EPDM N - NBR	P - Polypropylene P - PP F - PVDF A - AISI 316 L - Alu I - HMWHDPE	T - PTFE D - EPDM V - Viton® N - NBR	X	C

*) Cover diaphragms (only on Hytrel® and Santoprene® diaphragms) cannot be fitted individually.

APPLICATIONS

