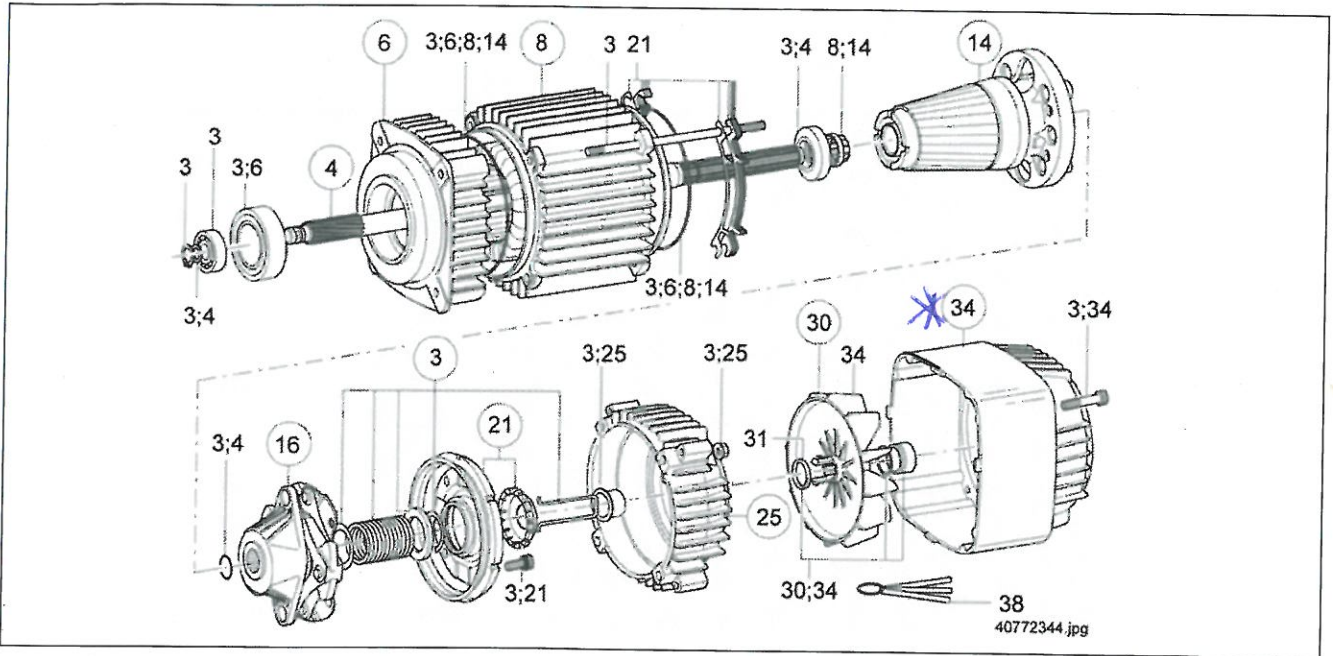


Main/creep hoist motor KMK 100 B 2/12



| Item no. | Part no. | Quantity | Designation | Material | Standard |
|----------|----------|----------|------------------------------------|----------|-------------|
| 3 | 12879933 | 1 | Small parts set KMK 100B2/12 | | |
| 4 | 14335633 | 1 | Shaft coupling DK10/16 | | |
| 6 | 83731433 | 1 | Set intermediate flange KM100B2/12 | | |
| 8 | 3) | 1 | Stator KMK 100B2/12 | | 1) |
| 14 | 14345533 | 1 | Rotor set KMH 100B | | 1) |
| # 16 | 14376033 | 1 | Engaging element KM 100 | | |
| 21 | 14389533 | 1 | Brake lining support KMK 100 | | |
| 25 | 14361333 | 1 | End shield set, brake side KM100 | | |
| 30 | 14382233 | 1 | Fan set KM 100 | | |
| # 31 | | | Flat seal | | 2) |
| 34 | 14382033 | 1 | Cover and fan set | | c/w item 30 |
| 38 | 10041084 | 3 | Feeler gauge set | | 1) |

Note:
 Per BOM records, S/N 61621487
 was supplied with # KMK90 Motor
 # 13882033 Cover + fan set (KM90)

22251004.tbl

1) A feeler gauge set (part no. 38) must also be ordered to adjust the air gap (adjust with feeler gauge no. 2, part no. 38).
 # 2) also included in gearbox seal set (item no. 7). See page 9.
 3) On request

Helical gearbox, 2-stages

Helical gearbox, combination with corresponding motor for one/two hoist speeds

| Item no. | Part no. | Quantity | Designation | Material | Standard |
|----------|----------|----------|--|------------------------------------|----------|
| 7 | 83713933 | 1 | Gearbox seal | | 1) |
| 15 | 83714033 | 2 | Bearing set DK10/16 | | |
| 18 | 83770433 | 1 | Supporting eye set DK10/16 | | |
| 18 | 83770233 | 1 | Supporting eye set DK10 | | |
| 29 | 83726033 | 1 | Coupling set DK10/16 | | |
| | | | Geared parts set for motor KMK 100 B 2/12 | | |
| 30 | 83797333 | 1 | Geared parts set DK10 V3 | 500, V3, i = 36.2 | |
| | | | Geared parts set for motor KMK 90 B 2 | | |
| 30 | 83797333 | 1 | Geared parts set DK10 V3 | 500, V3, i = 36.2 | |
| | | | Geared parts set for motor KMK 90 B 2/8 | | |
| 30 | 83797433 | 1 | Geared parts set DK10 V2 | 630, V2, i = 58.8 | |
| | | | Geared parts set for motor KMK 100 B 2/8 | | |
| 30 | 83797433 | 1 | Geared parts set DK10 V2 | 1000, 800, V2, i = 58.8 | |
| | | | Geared parts set for motor KMK 90 B 2 | | |
| 30 | 83797433 | 1 | Geared parts set DK10 V2 | 800, 630, V2, i = 58.8 | |
| | | | Geared parts set for motor KMK 100 B 2 | | |
| 30 | 83797433 | 1 | Geared parts set DK10 V2 | 1000, V2, i = 58.8 | |
| | | | Geared parts set for motor KMK 90 B 2/8 | | |
| 30 | 83797533 | 1 | Geared parts set DK10 V1 | 1000, 800, 630, V1, i = 79.9 | |
| | | | Geared parts set for motor KMK 100 B 2/8 | | |
| 30 | 83797533 | 1 | Geared parts set DK10 V1 | 1250, V1, i = 79.9 | |
| | | | Geared parts set for motor KMK 90 B 2 | | |
| 30 | 83797533 | 1 | Geared parts set DK10 V1 | 1250, 1000, 800, 630, V1, i = 79.9 | |
| 44 | 83729433 | 1 | Base plate chain guide DK10 | | |
| 47 | 83806333 | 1 | Chain collector box DK 10-20 size 4 | max. 8 m (26 feet) | |
| 47 | 83806533 | 1 | Chain collector box DK 10-20 size 5 | max. 20 m (65 feet) | |
| 51 | 83708344 | 1 | Stop piece DK10 | 2) | |
| # 52 | 75250433 | 1 | Chain set DK10/PK5 L=3.5m (11.48 ft) | | |
| # 52 | 75228733 | 1 | Chain set DK10/PK 5L=4.0m (13.12 ft) | | |
| # 52 | 75250533 | 1 | Chain set DK10/PK5 L=4.5m (14.76 ft) | | |
| # 52 | 75228833 | 1 | Chain set DK10/PK 5L=5.0m (16.40 ft) | | |
| # 52 | 75228933 | 1 | Chain set DK10/PK 5L=6.0m (19.68 ft) | | |
| # 52 | 75250633 | 1 | Chain set DK10/PK5 L=6.5m (21.32 ft) | | |
| # 52 | 75229033 | 1 | Chain set DK10/PK 5L=7.0m (22.96 ft) | | |
| # 52 | 75229133 | 1 | Chain set DK10/PK 5L=8.0m (26.24 ft) | | |
| # 52 | 75229233 | 1 | Chain set DK10/PK 5L=8.5m (27.88 ft) | | |
| # 52 | 75250733 | 1 | Chain set DK10/PK5 L=9.0m (29.52 ft) | | |
| # 52 | 75229333 | 1 | Chain set DK10/PK5 L=10m (32.80 ft) | | |
| # 52 | 75250833 | 1 | Chain set DK10/PK5 L=11m (36.08 ft) | | |
| # 52 | 75229433 | 1 | Chain set DK10/PK5 L=12m (39.36 ft) | | |
| # 52 | 75250933 | 1 | Chain set DK10/PK5 L=13m (42.64 ft) | | |
| # 52 | 75251033 | 1 | Chain set DK10/PK5 L=14m (45.92 ft) | | |
| # 52 | 75251133 | 1 | Chain set DK10/PK5 L=15m (49.20 ft) | | |
| # 52 | 75251233 | 1 | Chain set DK10/PK5 L=16m (52.48 ft) | | |
| # 52 | 75251333 | 1 | Chain set DK10/PK5 L=17m (55.76 ft) | | |
| # 52 | 75251433 | 1 | Chain set DK10/PK5 L=18m (59.04 ft) | | |
| # 52 | 75251533 | 1 | Chain set DK10/PK5 L=19m (62.32 ft) | | |
| # 52 | 75251633 | 1 | Chain set DK10/PK5 L=20m (65.60 ft) | | |
| # 52 | 75251733 | 1 | Chain set DK10/PK5 L=21m (68.88 ft) | | |
| # 52 | 75251833 | 1 | Chain set DK10/PK5 L=22m (72.16 ft) | | |
| # 52 | 75251933 | 1 | Chain set DK10/PK5 L=23m (75.44 ft) | | |
| # 52 | 75252033 | 1 | Chain set DK10/PK5 L=24m (78.72 ft) | | |
| # 52 | 75252133 | 1 | Chain set DK10/PK5 L=25m (82.00 ft) | | |
| # 52 | 75252233 | 1 | Chain set DK10/PK5 L=26m (85.28 ft) | | |
| # 52 | 75252333 | 1 | Chain set DK10/PK5 L=27m (88.56 ft) | | |
| # 52 | 75252433 | 1 | Chain set DK10/PK5 L=28m (91.84 ft) | | |
| # 52 | 75252533 | 1 | Chain set DK10/PK5 L=30m (98.40 ft) | | |
| # 52 | 75252633 | 1 | Chain set DK10/PK5 L=40m (131.20 ft) | | |
| # 52 | 75252733 | 1 | Chain set DK10/PK5 L=50m (164.00 ft) | | |

22310049 4362/10111

- Quantity 0.40 liter (0.62 qts) part no. 472 902 44 (1.0 kg 2.2 lbs).
- Fix limit stop (item 51) to the 10th chain link.

Helical gearbox, 2-stages

Helical gearbox, combination with corresponding motor for one/two hoist speeds

| Item no. | Part no. | Quantity | Designation | Material | Standard |
|----------|----------|----------|---|------------------------------------|----------|
| 54 | 83737733 | 1 | Chain guide set DK10 | | |
| 56 | 83738033 | 1 | Output shaft set DK10/16 | | |
| 59 | 83707833 | 1 | Pilot section set DK10 | | |
| 60 | 83761933 | 1 | Load hook crossbeam set DK10 | | |
| 61 | 83764533 | 1 | Eye ring transverse set DK10 | | |
| 63 | 83865033 | 1 | Load hook DC16/25 DK10/20 | | |
| 64 | 83865633 | 1 | Hook safety catch set size 5 x 5 | | |
| | | | Shaft gearbox for motor KMK 90 B 2/8 | | |
| 67 | 13847633 | 1 | Shaft KMK set | 1000, 800, 630, V1, i = 79.9 | |
| 67 | 13847633 | 1 | Shaft KMK set | 630, V2, i = 58.8 | |
| | | | Shaft gearbox for motor KMK 100 B 2/8 | | |
| 67 | 14335633 | 1 | Shaft coupling DK10/16 | 1250, V1, i = 79.9 | |
| 67 | 14335633 | 1 | Shaft coupling DK10/16 | 1000, 800, V2, i = 58.8 | |
| | | | Shaft gearbox for motor KMK 100 B 2/12 | | |
| 67 | 14335633 | 1 | Shaft coupling DK10/16 | 500, V3, i = 36.2 | |
| | | | Shaft gearbox for motor KMK 90 B 2 | | |
| 67 | 13847633 | 1 | Shaft KMK set | 1250, 1000, 800, 630, V1, i = 79.9 | |
| 67 | 13847633 | 1 | Shaft KMK set | 800, 630, V2, i = 58.8 | |
| 67 | 13847633 | 1 | Shaft KMK set | 500, V3, i = 36.2 | |
| | | | Shaft gearbox for motor KMK 100 B 2 | | |
| 67 | 14335633 | 1 | Shaft coupling DK10/16 | 1000, V2, i = 58.8 | |

22251005.tbl