

STR

MPA - MPM

Flow rates to 875 l/min



Technical data

STR (Materials)

- 1 - Connection: Nylon
- 2 - Core tube: Tinned Steel
- 3 - Filter media: Wire mesh
- 4 - End cap: Nylon
- 5 - Bypass valve: Nylon - Steel

MPA - MPM (Materials)

- 1 - Connection: Aluminium
- 2 - Magnetic column
- 3 - Tie rod: Galvanized Steel
- 4 - End caps: Galvanized Steel
- 5 - Core tube: Galvanized Steel
- 6 - Filter media: Wire mesh
- 7 - Bottom: Galvanized Steel
- 8 - Washer: Galvanized Steel
- 9 - Self-locking nut: Galvanized Steel - Nylon

Filtration

- M60: 60 µm
- M90: 90 µm
- M250: 250 µm

Temperature

- From -25 °C to +110 °C

Bypass valve

- Opening pressure 30 kPa ± 10%

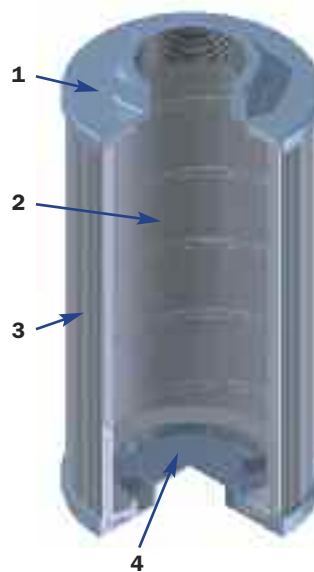
Elements

- Fluid flow through the filter element from OUT to IN.

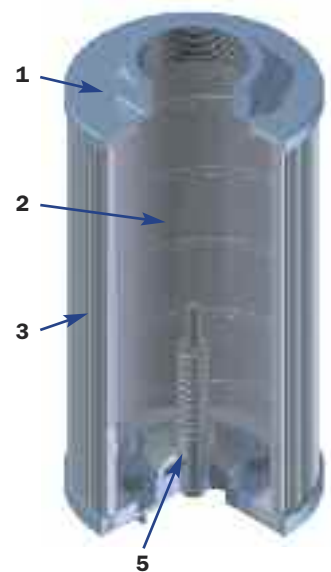
STR - Weights (kg): See table on page 12

MPA - MPM - Weights (kg): See table on page 14

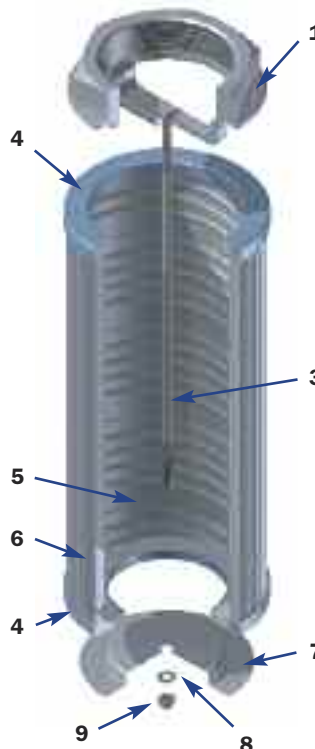
STR
Without bypass



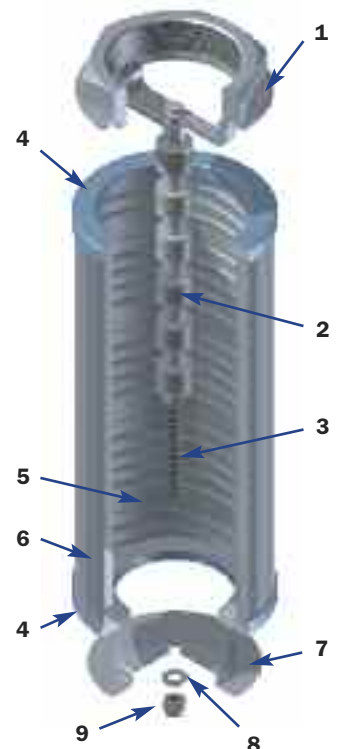
STR
With bypass



MPA
Without magnetic column

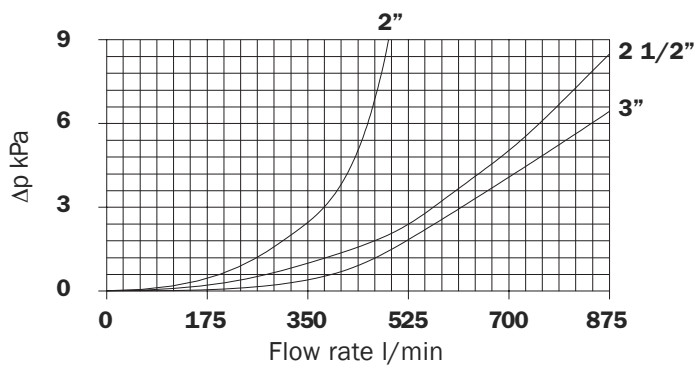
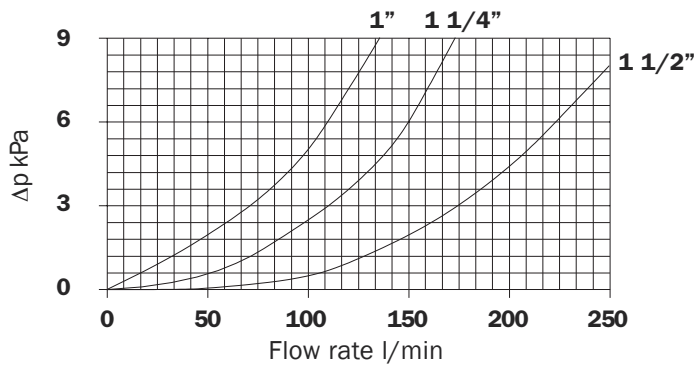
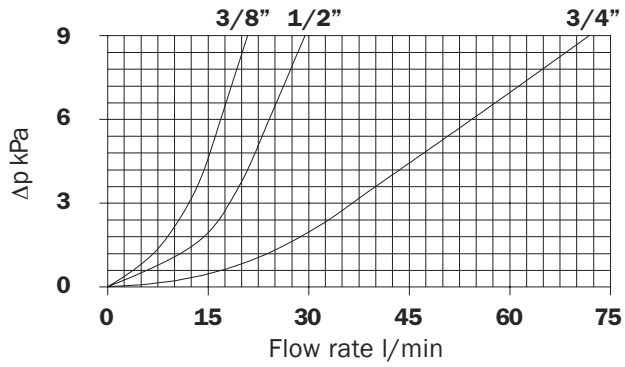


MPM
With magnetic column

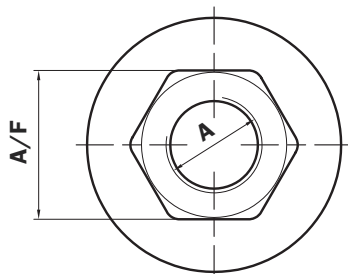
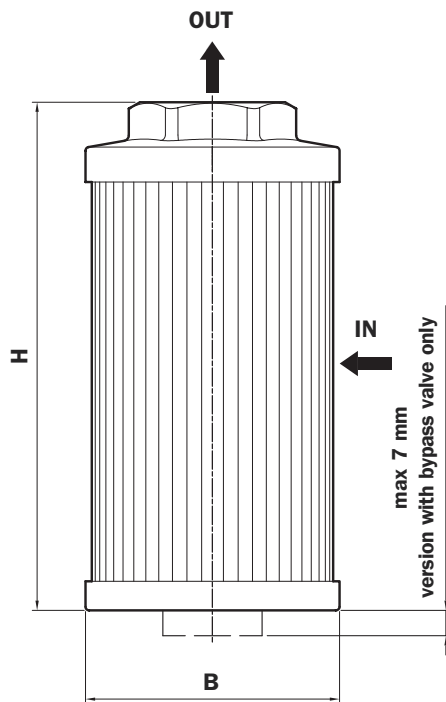


Filter housing Δp pressure drop

The curves are plotted utilising mineral oil with density of 0,86 kg/dm³ to ISO 3968. Δp varies proportionally with density.

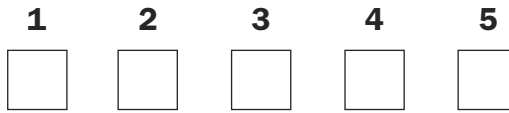


STR



Size	A	B mm	H mm	A/F mm	Weight (kg)
045-1 G1	G 3/8"				0,15
045-1 G2	3/8" NPT	46	105		0,15
045-2 G1	G 1/2"				0,19
045-2 G2	1/2" NPT			30	0,19
050-1 G1	G 3/8"				0,11
050-1 G2	3/8" NPT	52	79		0,11
050-2 G1	G 1/2"				0,11
050-2 G2	1/2" NPT				0,11
065-1 G1	G 1/2"				0,19
065-1 G2	1/2" NPT		110		0,19
065-2 G1	G 3/4"	65			0,22
065-2 G2	3/4" NPT				0,22
065-3 G1	G 3/4"				0,24
065-3 G2	3/4" NPT		144		0,24
065-4 G1	G 1"				0,22
065-4 G2	1" NPT				0,22
070-1 G1	G 1/2"				0,18
070-1 G2	1/2" NPT		95	41	0,18
070-2 G1	G 3/4"				0,17
070-2 G2	3/4" NPT				0,17
070-3 G1	G 3/4"	70			0,23
070-3 G2	3/4" NPT				0,23
070-4 G1	G 1"				0,22
070-4 G2	1" NPT		141		0,22
070-6 G1	G 1/2"				0,24
070-6 G2	1/2" NPT				0,24
086-1 G1	G 1 1/2"				0,33
086-1 G2	1 1/2" NPT		143		0,33
086-2 G1	G 2"				0,30
086-2 G2	2" NPT				0,30
086-3 G1	G 1 1/2"				0,43
086-3 G2	1 1/2" NPT	86	201		0,43
086-4 G1	G 2"				0,40
086-4 G2	2" NPT				0,40
086-5 G1	G 1 1/2"				0,53
086-5 G2	1 1/2" NPT		261		0,53
086-6 G1	G 2"				0,50
086-6 G2	2" NPT				0,50
100-1 G1	G 1 1/4"		137	69	0,47
100-1 G2	1 1/4" NPT				0,47
100-2 G1	G 1 1/4"				0,58
100-2 G2	1 1/4" NPT				0,58
100-3 G1	G 1 1/2"	99	227		0,55
100-3 G2	1 1/2" NPT				0,55
100-4 G1	G 2"				0,51
100-4 G2	2" NPT				0,51
100-5 G1	G 1 1/2"		137		0,43
100-5 G2	1 1/2" NPT				0,43
140-1 G1	G 1 1/2"				0,70
140-1 G2	1 1/2" NPT		160		0,70
140-2 G1	G 2"				0,68
140-2 G2	2" NPT				0,68
140-3 G1	G 2"		262		0,94
140-3 G2	2" NPT	130			0,94
140-4 G1	G 2 1/2"				1,10
140-4 G2	2 1/2" NPT		272		1,10
140-5 G1	G 3"			101	1,0
140-5 G2	3" NPT				1,0
140-6 G1	G 3"		330		1,17
140-6 G2	3" NPT				1,17

STR



Example: STR 070-4 S G1 M90 P01

1 - Style	Size	Pieces per box
045-1	3/8"	12
045-2	1/2"	12
050-1	3/8"	12
050-2	1/2"	12
065-1	1/2"	6
065-2	3/4"	6
065-3	3/4"	6
065-4	1"	6
070-1	1/2"	6
070-2	3/4"	6
070-3	3/4"	6
070-4	1"	6
070-6	1/2"	6
086-1	1 1/2"	6
086-2	2"	6
086-3	1 1/2"	6
086-4	2"	6
086-5	1 1/2"	6
086-6	2"	6
100-1	1 1/4"	6
100-2	1 1/4"	6
100-3	1 1/2"	6
100-4	2"	6
100-5	1 1/2"	6
140-1	1 1/2"	-
140-2	2"	-
140-3	2"	-
140-4	2 1/2"	-
140-5	3"	-
140-6	3"	-

2 - Valves

S	Without bypass
B	With bypass

3 - Connection

G1	GAS thread
G2	NPT thread

4 - Filter element

M25	Wire mesh 25 µm] Nominal Filtration
M60	Wire mesh 60 µm	
M90	Wire mesh 90 µm	
M250	Wire mesh 250 µm	

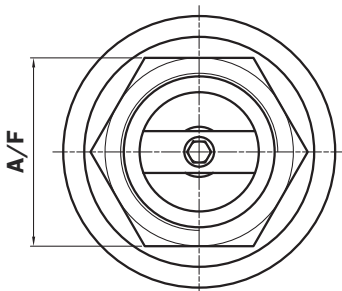
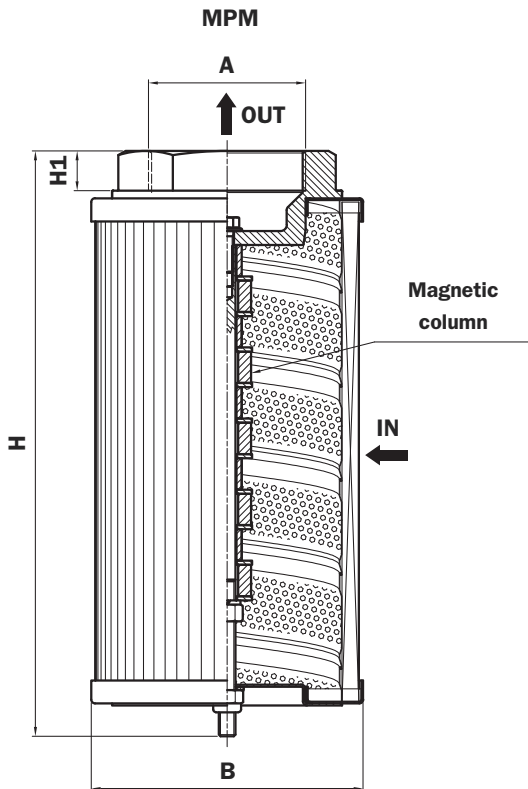
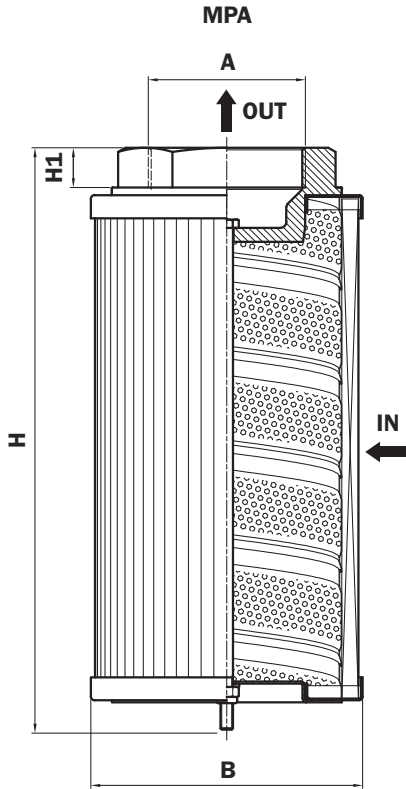
5 - Options

P01	MP Filtri standard
-----	--------------------

MP Filtri - The filter functions as described in this bulletin are valid exclusively for original MP Filtri filter elements and replacement parts. All rights reserved

The data in this publication are purely guideline. MP Filtri reserves the right to make changes to the models described herein at any time it deems fit in relation to technical or commercial requirements. The colours of the products shown on the cover are purely guideline. Copyright. All rights reserved.

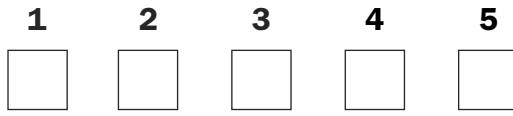
MPA - MPM



Size	A	B mm	H-MPA mm	H-MPM mm	H1 mm	A/F mm	Weight (kg)
012 G1	G 3/8"						
012 G2	3/8" NPT						
015 G1	G 1/2"	50	98	98			0,17
015 G2	1/2" NPT				16	28	
025 G1	G 1/2"		113	113			0,27
025 G2	1/2" NPT						
030 G1	G 3/4"	70	115	115			0,36
030 G2	3/4" NPT						
045 G1	G 3/4"		160	160	18	42	0,39
045 G2	3/4" NPT						
050 G1	G 1"		145	148			0,35
050 G2	1" NPT						
075 G1	G 1"		148	154			0,54
075 G2	1" NPT						
095 G1	G 1 1/4"	99	239	244	20	60	0,63
095 G2	1 1/4" NPT						
120 G1	G 1 1/4"		174	174			0,95
120 G2	1 1/4" NPT						
150 G1	G 1 1/2"		162	163			0,91
150 G2	1 1/2" NPT						
180 G1	G 1 1/2"		272	273	13	80	0,98
180 G2	1 1/2" NPT						
220 G1	G 2"	136	281	282	20	90	1,00
220 G2	2" NPT						
280 G1	G 2"		322	323	13	80	1,60
280 G2	2" NPT						
300 G1	G 2 1/2"		335	336	22	106	1,67
300 G2	2 1/2" NPT						
380 G1	G 2"						1,60
380 G2	2" NPT						
430 G1	G 3"						1,93
430 G2	3" NPT						

Ordering information MPA - MPM

MPA
MPM



Example: **MPA** **050** **G1** **M60** **P01**

1 - Series

- MPA** Without int. magnet
- MPM** With int. magnet

3 - Connection

- G1** GAS thread
- G2** NPT thread

2 - Style

Style	Size	Pieces per box
012	3/8"	12
015	1/2"	6
025	1/2"	6
030	3/4"	6
045	3/4"	6
050	1"	6
075	1"	6
095	1 1/4"	6
120	1 1/4"	6
150	1 1/2"	6
180	1 1/2"	1
220	2"	1
280	2"	1
300	2 1/2"	1
380	2"	1
430	3"	1

4 - Filter element

- M25** Wire mesh 25 µm
- M60** Wire mesh 60 µm
- M90** Wire mesh 90 µm
- M250** Wire mesh 250 µm

Nominal
Filtration

5 - Options

- P01** MP Filtri standard

MP Filtri - The filter functions as described in this bulletin are valid exclusively for original MP Filtri filter elements and replacement parts. All rights reserved

The data in this publication are purely guideline. MP Filtri reserves the right to make changes to the models described herein at any time it deems fit in relation to technical or commercial requirements. The colours of the products shown on the cover are purely guideline. Copyright. All rights reserved.

STH - STM - STF

Technical data

STH (Materials)

- Connection: Nylon - Aluminium
- Core tube: Tinned Steel
- Filter media: Wire mesh
- End cap: Nylon - Aluminium

STF - STM (Materials)

- Connection: Aluminium
- Core tube: Tinned Steel
- Filter media: Wire mesh
- End cap: Aluminium

Filtration

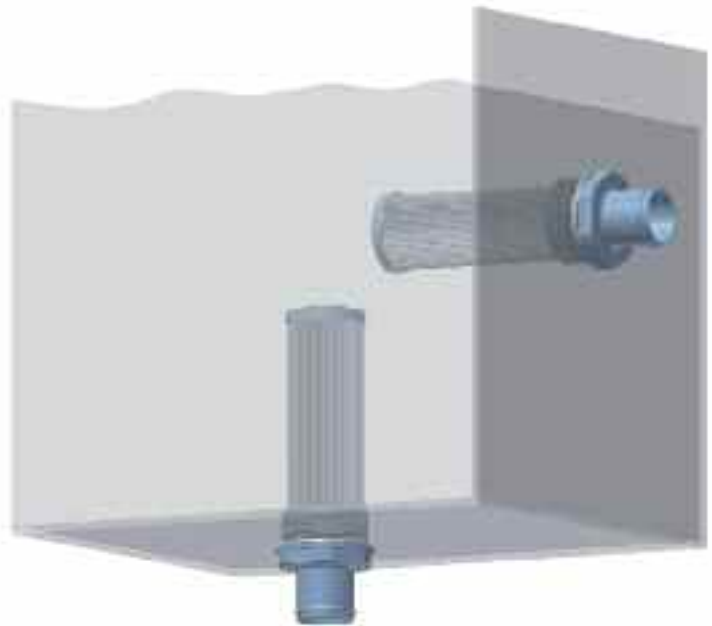
- M60: 60 μm
- M90: 90 μm
- M250: 250 μm

Temperature

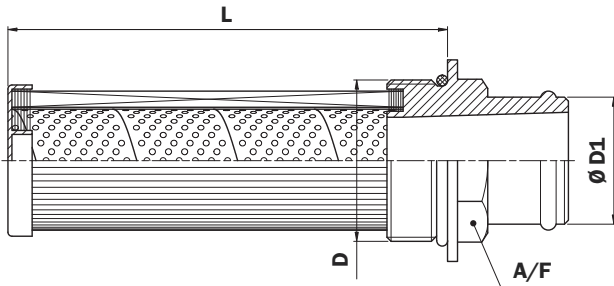
- From -25 °C to +110 °C

Elements

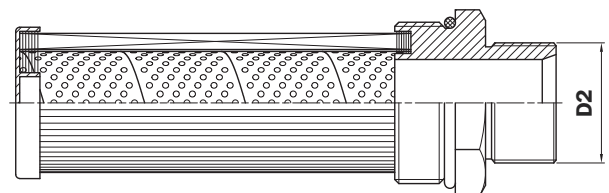
- Fluid flow through the filter element from OUT to IN.



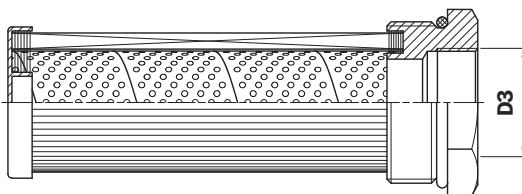
STH



STM



STF



Technical data for request ordering code

Type	D	Ø D1	D2	D3	L	A/F
STH	x	x	-	-	x	x
STM	x	-	x	-	x	x
STF	x	-	-	x	x	x

- Filter seal: NBR
Customer request
- Bypass valve: S (without)
B (bypass on request)
- Filter element: M60 μm (wire mesh)
M90 μm (wire mesh)
M250 μm (wire mesh)