

Descrizione

3-piston alternating volumetric pumps for use on cleaning units and industrial systems.

Pump body and cover in die-cast aluminium alloy.

Rear cover with oil drain outlet and oil sight glass. Cap with dipstick for oil level on body pump.

Pistons driven by crank-connecting rod mechanism.

Pump shaft in pressed high-strength steel.

Oversized friction bearings.

Connecting rods in die-cast special low-friction zinc-aluminium alloy.

One-piece ceramic pistons.

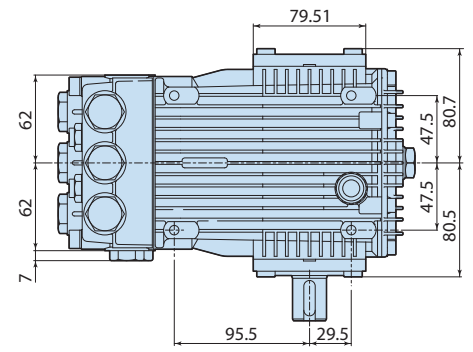
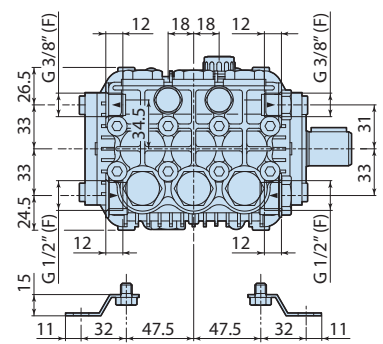
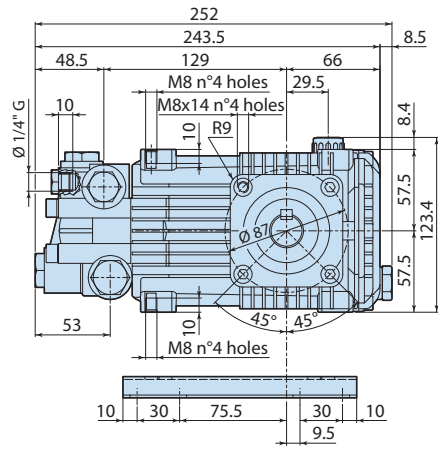
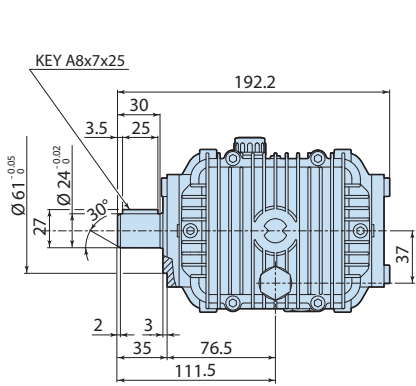
Pump head in nichel-plated brass.

Double gasket sealing system.

Intake and delivery valves have plugs for easier maintenance.



Details	Value
Category	Cleaning
Series	228 - RK, RKA, RKV
Pump type	RK 15.20 H N
Versioning	N
ARCode	20638
Output (lt/min)	15
Output (gpm)	3.96
Pressure (bar)	200
Pressure (psi)	2900
Power (hp)	7.5
Power (kw)	5,5
RPM	1450
Weight (kg)	9



1388523