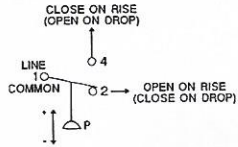
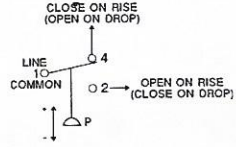


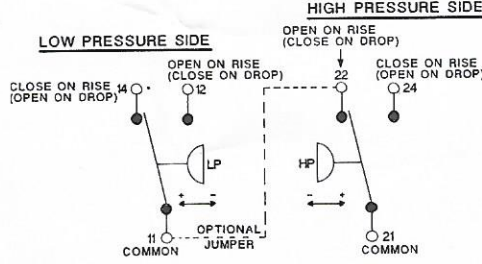
**SINGLE HIGH PRESSURE SWITCH RESPONSE**



**SINGLE LOW PRESSURE SWITCH RESPONSE**



**DUAL PRESSURE SWITCH RESPONSE**



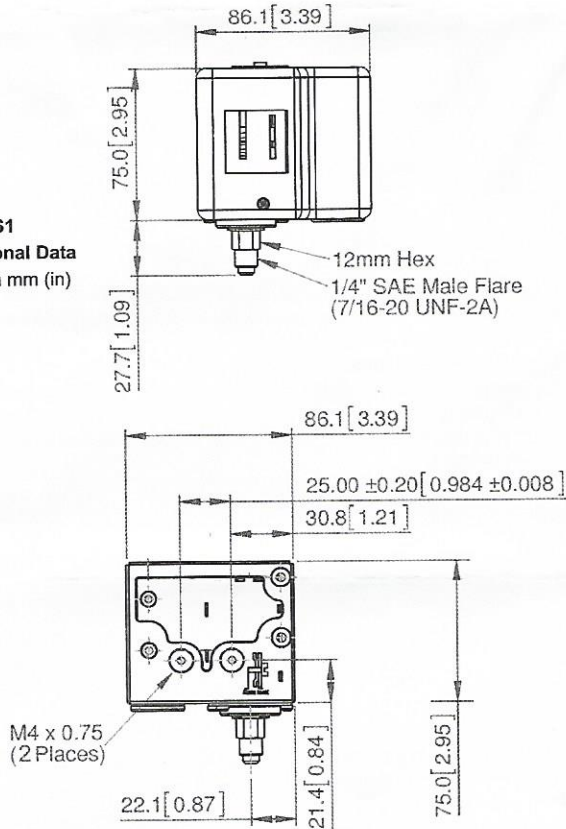
**FIG. 1**

**TECHNICAL DATA**

**Electrical rating**

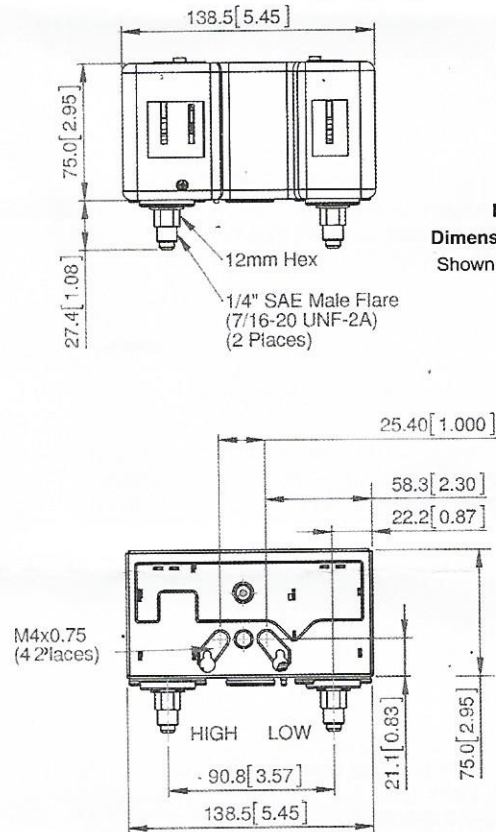
- Heating load (AC1): .....12A / 230V AC
- Inductive load (AC15): .....9A / 230V AC
- Inductive load (DC13): .....0.1A / 230V DC
- 3A / 24V DC
- Start-up (AC3): .....72A / 230V AC
- Motor rating (FLA): .....16A / 120V AC
- 12A / 240V AC
- Locked rotor (LRA): .....96A / 120V AC
- 72A / 240V AC
- Medium compatibility: .....HFC, HCFC
- Control Pollution Degree – PD3
- Not released for flammable refrigerants**

**PS1 Dimensional Data Shown in mm (in)**

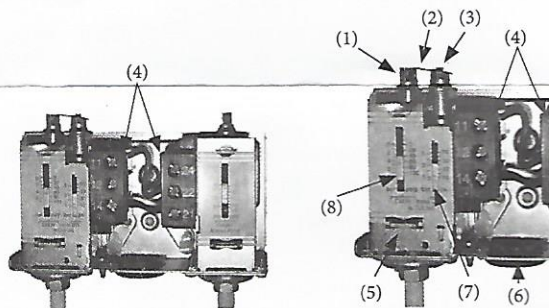


**FIG. 2**

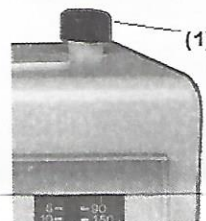
**PS2 Dimensional Data Shown in mm (in)**



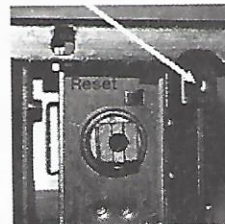
**FIG. 3**



**FIG. 4a**



(2)



**FIG. 4b**

**FIG. 4c**

