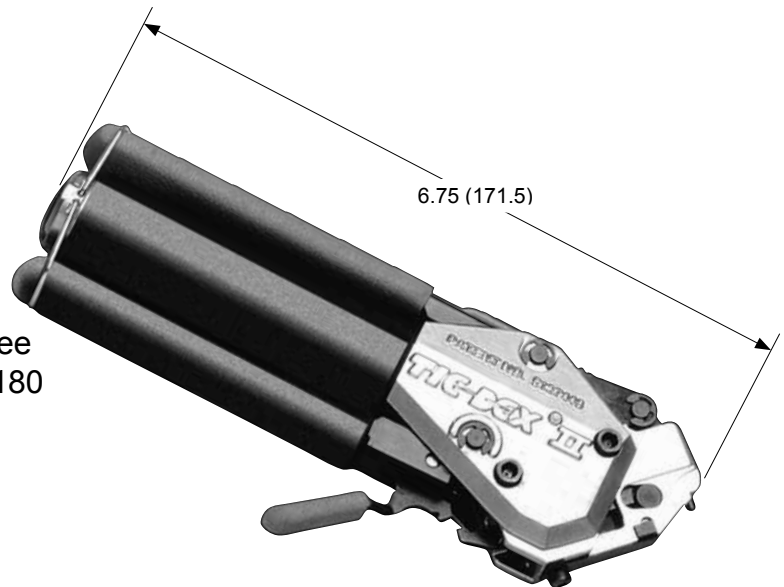


## Hand Banding Tool 600-058

The **600-058 Hand Banding Tool** weighs 1.18 lbs., and is designed for standard clamping bands 600-052 and 600-090 (see page 36) in a tension range from 100 to 180 lbs. Calibrate at 150 lbs.  $\pm$  5 lbs. For most shield terminations. Tool and band should never be lubricated.

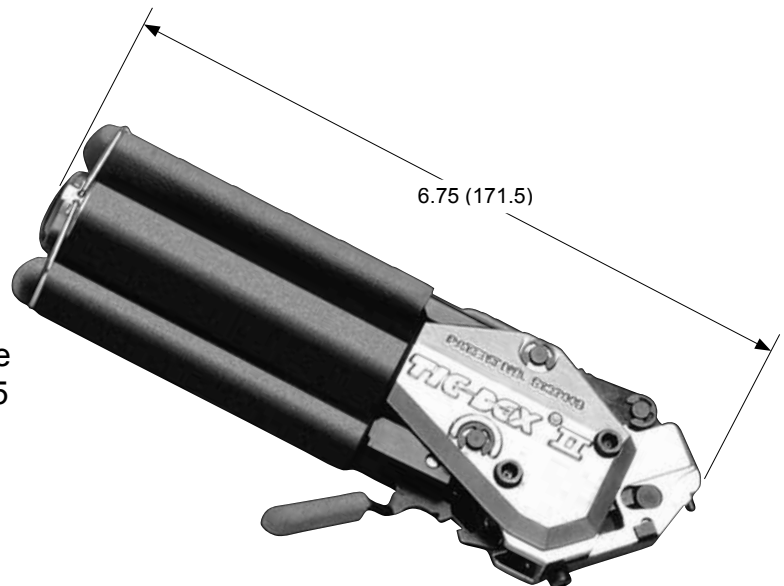
Reference: **BAND-IT®** part number A40199.



## Hand Micro Banding Tool 600-061

The **600-061 Hand Micro Banding Tool** weighs 1.18 lbs., and is designed for micro clamping bands 600-057 and 600-083 (see page 36) in a tension range from 50 to 85 lbs. Calibrate at 80lbs  $\pm$  5 lbs. For most shield terminations. Tool and band should never be lubricated.

Reference: **BAND-IT®** part number A30199.



Metric Dimensions (mm) are indicated in parentheses.

# Mouser Electronics

Authorized Distributor

Click to View Pricing, Inventory, Delivery & Lifecycle Information:

[Glenair:](#)

[600-058](#)