



## AdaptaBeacon® Light Duty Strobe

***Div. 2 Hazardous Location  
NEMA Type 4X***

### 96DV2 Series

#### FEATURES

- > Weatherproof
- > Optically designed fresnel lens
- > Low profile
- > Immune to shock and vibration

#### AGENCY APPROVALS

- > UL 1638 and 1604 Listed
- > UL Listed NEMA Type 4X enclosure
- > cUL Listed

The Edwards 96DV2 Series Division 2, NEMA Type 4X AdaptaBeacons are low profile units for use in light duty applications where short term intermittent signaling is required. They are ideal for signaling equipment malfunction, manufacturing processes, work breaks, stop start, and evacuation. They are UL Listed for outdoor and wet locations requiring Division 2 and NEMA 4X specifications.

A series of complementing fresnels cause the dome to "fill" with light each time the strobe flashes. This design feature increases the AdaptaBeacon "on-time", thus improving viewer perception. Beam distance is also increased with external fresnel lenses.

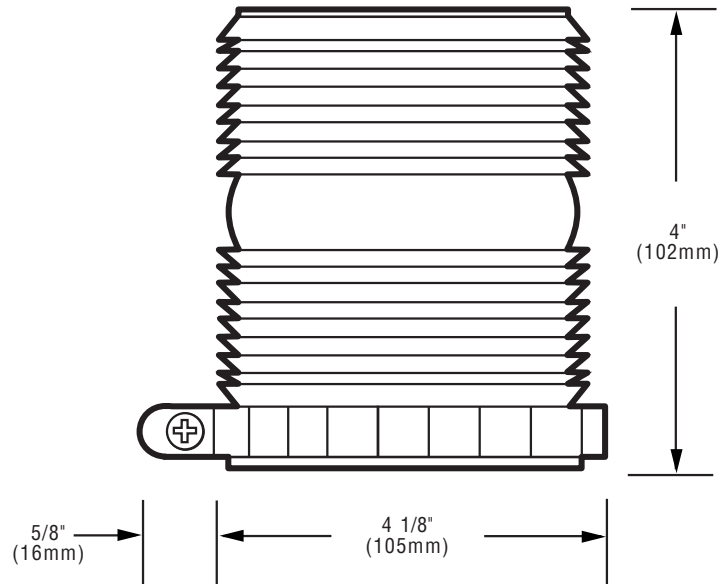
Trigger and timing circuits are included as integral parts of the power supply. Replacement costs are reduced as it is necessary to replace only the strobe tube.

Designed for indoor or outdoor installation. May be direct or 1/2" (13mm) conduit mounted. The unit should be installed with the lens facing up.

The 96DV2 Series is ideally suited for installations where high ambient light levels make traditional rotating or flashing lights difficult to distinguish. The gasketed weatherproof design assures installation acceptability in most industrial and commercial locations.



## TECHNICAL INFORMATION



Cat. No.	Lens Color	Replacement Lens	Flash Rate	Electrical Rating	Replacement Strobe Tube	Peak Candlepower
96DV2R-N5	Red	96-LR	65 fpm	120V 50/60 Hz	91B-ST	300,000 cd
96DV2A-N5	Amber	96-LA		0.03 Amp	3,000 hour*	
96DV2B-N5	Blue	96-LB				
96DV2G-N5	Green	96-LG				
96DV2M-N5	Magenta	96-LM				
96DV2C-N5	Clear	96-LC				

\*Calculated at operating power to 75% efficiency.

## HAZARDOUS LOCATION LISTINGS

Class	Division	Group	Operating Temperature Code
I	2	A,B,C,D	T3C (160C, 320F)
II	2	F,G	T6 (85C, 185F)
III			T6 (85C, 185F)