



AVK FLANGED GATE VALVE, PN 10/16, CTC

02/21

DN50-400, WRAS/NF approved rubber, 1.4404 stem, A4 bolts

001



AVK gate valves are designed with built-in safety in every detail. The wedge is fully vulcanized with AVK's own drinking water approved EPDM rubber compound. It features an outstanding durability due to the ability of the rubber to regain its original shape, the double bonding vulcanization process and the sturdy wedge design. The triple safety stem sealing system, the high strength stem and the thorough corrosion protection safeguard the unmatched reliability.

Product Description:

Flanged gate valve for drinking water and neutral liquids to max. 70°C

Standards:

- Designed according to EN 1074 part 1 & 2
- Face to face according to EN 558 Table 2 Basic Series 3
- Standard flange drilling to EN1092-2 (ISO 7005-2), PN 10/16

Test/Approvals:

- Hydraulic test according to EN 1074-1 and 2 / EN 12266.
- Seat: 1.1 x PN (in bar), Body: 1.5 x PN (in bar). Operation torque test.

Accessories:

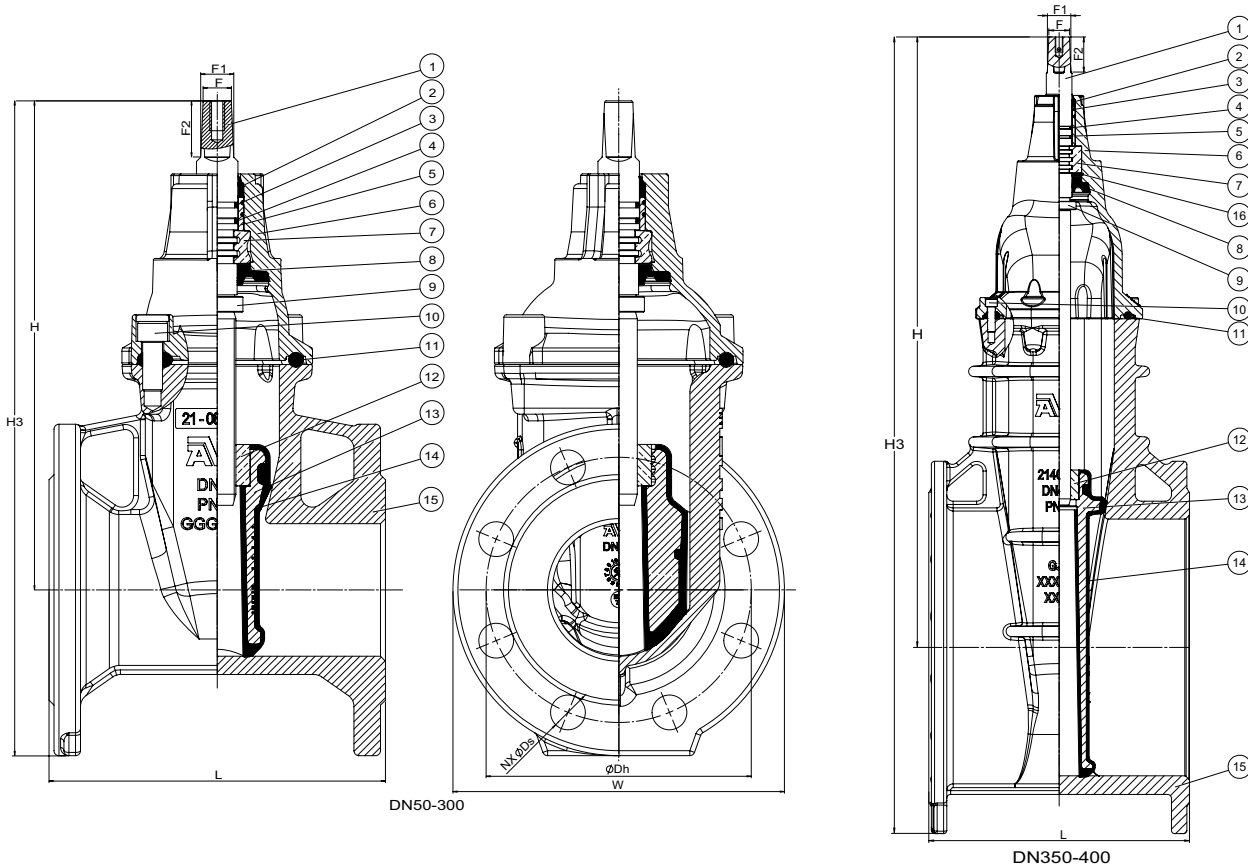
Stem cap, handwheel, extension spindle, street cover, flange adaptor and combi-flange



DN50-300

DN350-400

Expect... **AVR**



Component List:

1. Stem	Stainless steel 1.4404	2. Wiper ring	NBR rubber
3. O-ring	NBR rubber	4. O-ring	NBR rubber
5. Bearing	Polyamide	6. Bonnet	Ductile iron GJS-500 (GGG-50)
7. Thrust collar	Dezincification resistant brass	8. Manchette	EPDM rubber
9. Stop ring	Stainless steel	10. Bonnet bolt	Stainless steel A4, sealed with hot melt
11. Bonnet gasket	EPDM rubber	12. Wedge nut	Bronze CW626N
13. Wedge core	Ductile iron	14. Wedge rubber	EPDM rubber
15. Body	Ductile iron GJS-500 (GGG-40)	16. Circlip ring(DN350-400)	Stainless steel

Components may be substituted with equivalent or higher class materials without prior notification.

Reference Nos. and Dimensions:

AVK ref. nos	DN mm	Flange drilling	L mm	H mm	H3 mm	F mm	F1 mm	F2 mm	W mm	Dh mm	Ds mm	Bolt no.	Theoretic. weight kg
02-050-21-016	50	PN10/16	178	241	324	14	17	29	165	125	21	4	12
02-050-21-01610 ⁽¹⁾	50	PN10/16	178	241	324	14	17	29	165	125	21	4	12
02-065-21-016	65	PN10/16	190	271	334	17	20	34	185	145	21	4	17
02-065-21-01610 ⁽¹⁾	65	PN10/16	190	271	334	17	20	34	185	145	21	4	17
02-080-21-016	80	PN10/16	203	297	397	17	20	34	200	160	20	8	20
02-080-21-01610 ⁽¹⁾	80	PN10/16	203	297	397	17	20	34	200	160	20	8	20
02-100-21-016	100	PN10/16	229	334	444	19	22	38	220	180	20	8	25
02-100-21-01610 ⁽¹⁾	100	PN10/16	229	334	444	19	22	38	220	180	20	8	25
02-150-21-016	150	PN10/16	267	448	591	19	22	38	285	240	24	8	49
02-150-21-01610 ⁽¹⁾	150	PN10/16	267	448	591	19	22	38	285	240	24	8	49
02-200-21-006	200	PN10	292	562	732	24	28	42	340	295	25	8	56
02-200-21-016	200	PN16	292	562	732	24	28	42	340	295	25	12	56
02-200-21-01610 ⁽¹⁾	200	PN16	292	562	732	24	28	42	340	295	25	12	56
02-250-21-006	250	PN10	330	664	864	27	31	47	400	350	25	12	85

The designs, materials and specifications shown are subject to change without notice. This is due to the continuous development of our product programme.

AVK ref. nos	DN mm	Flange drilling	L mm	H mm	H3 mm	F mm	F1 mm	F2 mm	W mm	Dh mm	Ds mm	Bolt no.	Theoretic. weight kg
02-250-21-016	250	PN16	330	664	864	27	31	47	400	355	30	12	85
02-250-21-01610 ⁽¹⁾	250	PN16	330	664	864	27	31	47	400	355	30	12	85
02-300-21-006	300	PN10	356	740	968	27	31	47	455	400	25	12	128
02-300-21-016	300	PN16	356	740	968	27	31	47	455	410	30	12	128
02-300-21-01610 ⁽¹⁾	300	PN16	356	740	968	27	31	47	455	410	30	12	128
02-350-21-006	350	PN10	381	924	1177	32	37	55	505	460	25	16	184
02-350-21-016	350	PN16	381	924	1191	32	37	55	533	470	30	16	218
02-350-21-01610 ⁽¹⁾	350	PN16	381	924	1191	32	37	55	533	470	30	16	218
02-400-21-006	400	PN10	406	951	1233	32	37	55	565	515	30	16	195
02-400-21-016	400	PN16	406	951	1241	32	37	55	580	525	33	16	224
02-400-21-01610 ⁽¹⁾	400	PN16	406	951	1241	32	37	55	580	525	33	16	224

⁽¹⁾ 300 My coating