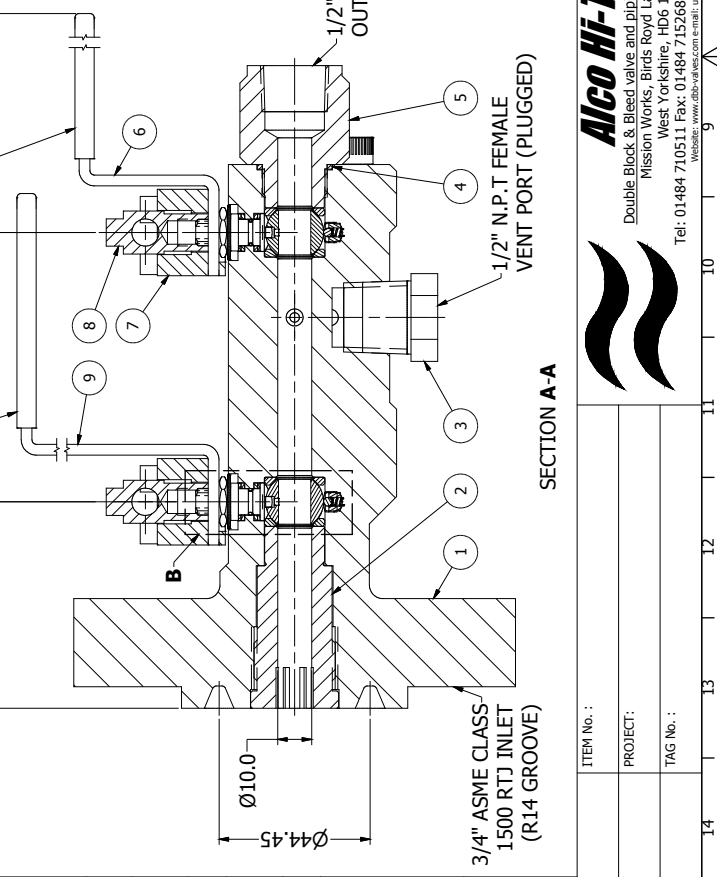
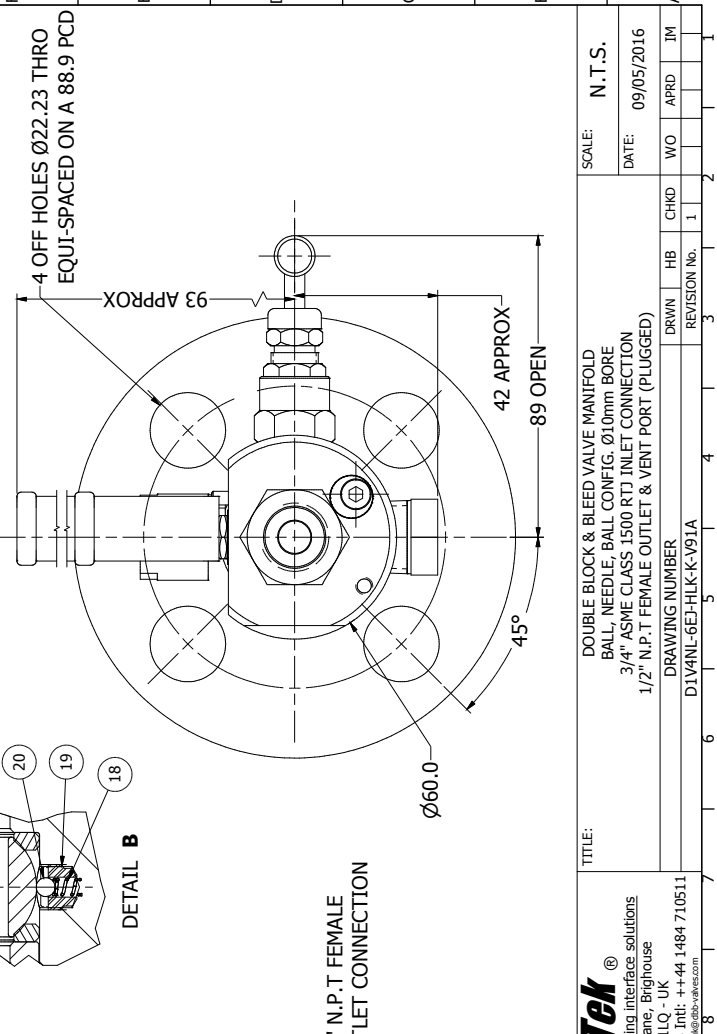
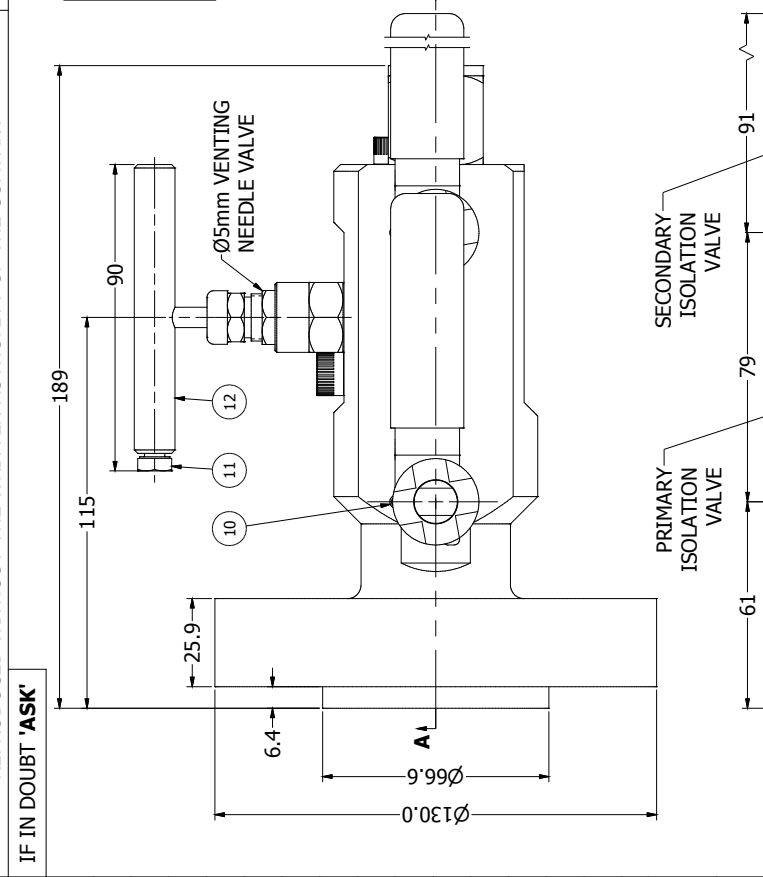
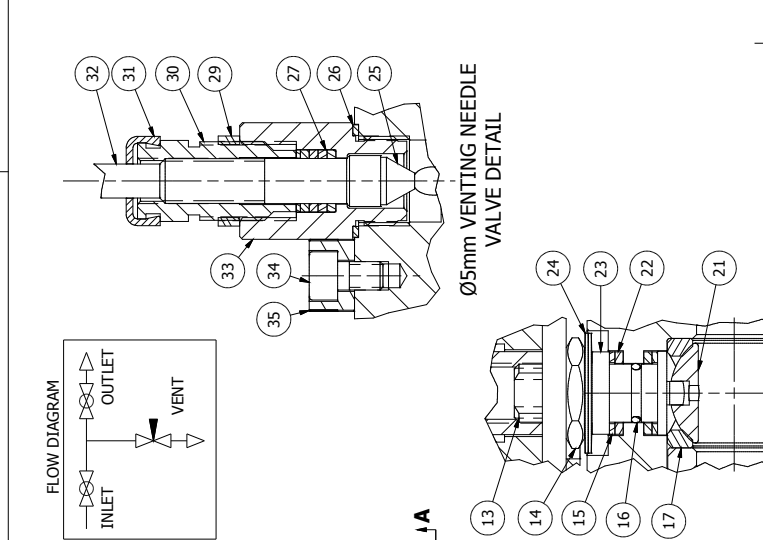


16 VALVE IDENTIFICATION DETAILS  
 15 REVISIONS  
 14 IF IN DOUBT 'ASK'  
 13 THIS DRAWING IS SUBJECT TO 'COPYRIGHT' IT CANNOT BE COPIED OR REPRODUCED WITHOUT THE WRITTEN AUTHORITY OF THE COMPANY  
 12  
 11  
 10  
 9  
 8  
 7  
 6  
 5 OUR PURCHASE ORDER No.  
 4  
 3 DIMENSIONS SHOWN ARE IN METRIC MM  IMPERIAL INCH   
 2  
 1

ITEM	DESCRIPTION	MATERIAL	QTY
1	FLANGED BODY	A350 LF2	1
2	BODY INSERT	A350 LF2	1
3	1/2" N.P.T BLANK PLUG	A479 UNS S31600	1
4	BODY SEAL	GRAPHITE	1
5	1/2" N.P.T END CONNECTOR	A350 LF2	1
6	VALVE HANDLE (2)	UNS S31600	2
7	LOCKING COLLAR	UNS S31600	2
8	LOCKING PIN	UNS S31600	2
9	VALVE HANDLE (3)	UNS S31600	1
10	STOP PIN	UNS S31600	1
11	HEX CAP SCREW	A4 S7/ST	1
12	EXTENDED "T" HANDLE	UNS S31600	1
13	STEM	A479 UNS S31600	2
14	5/16" UNF HEX NUT	A4 S7/ST	2
15	THRUST WASHER	PEEK	4
16	O-RING	ENDURA V91A	2
17	SEAT	PEEK	4
18	ANTI-STATIC SPRING	INCONEL X750	2
19	ANTI-STATIC RETAINER	A479 UNS S32760	2
20	2.5mm BALL	B446 UNS N06625	2
21	BALL	A479 UNS S31600	2
22	FIRE SAFE SEAL	GRAPHITE	4
23	SPACER	UNS S31600	2
24	BELLEVILLE SPRING	ST/ST	4
25	VALVE TIP	A564 UNS S17400	1
26	BONNET SEAL	UNS S31600	1
27	GLAND PACKING	GRAPHITE	4
28	PACKING WASHER	PEEK	1
29	GLAND LOCKNUT	UNS S31600	1
30	GLAND ADJUSTER	UNS S31600	1
31	DUST CAP	PVC	1
32	NEEDLE STEM	A479 UNS S31600	1
33	BONNET HOUSING	A479 UNS S31600	1
34	SHC SCREW	A4 S7/ST	2
35	LOCKING CAM	UNS S31600	2



BS EN 10204: (LATEST REVISION)	CERTIFICATION REQUIRED
ORIGINAL MILL CERTIFICATE	
N.A.C.E. MR. 01.75	
ADDITIONAL :	
PRESSURE RATINGS ARE COLD WORKING, NON-SHOCK AND SUBJECT TO TEMPERATURE LIMITATIONS, UNLESS OTHERWISE STATED. PLEASE SEE SPECIFIC PRODUCT DATA	
DIMENSIONS AND DESIGNS ARE SUBJECT TO CHANGE WITHOUT PRIOR NOTICE	
PROJECT PO No. :	ITEM No. :
CUSTOMER PO No. :	PROJECT :
WEIGHT: 5.2 Kg	QTY:
	TAG No. :

**Alco Hi-Tek**  
 Double Block & Bleed valve and piping interface solutions  
 Mission Works, Birds Royd Lane, Brighouse  
 West Yorkshire, HD6 1LQ - UK  
 Tel: 01484 710511 Fax: 01484 715268 Int: +44 1484 1484 710511  
 Website: www.dbb-valves.com e-mail: info@dbb-valves.com

DOUBLE BLOCK & BLEED VALVE MANIFOLD  
 BALL, NEEDLE, BALL CONFIG. Ø10mm BORE  
 3/4" ASME CLASS 1500 RTJ INLET CONNECTION  
 1/2" N.P.T FEMALE OUTLET & VENT PORT (PLUGGED)  
 DRAWING NUMBER  
 D1V4NL-6EJ-HLK-K-V91A

SCALE: N.T.S.  
 DATE: 09/05/2016

DRWN: [ ]  
 HB: [ ]  
 CHKD: [ ]  
 REVISION No. 1

WO: [ ]  
 APRD: [ ]  
 IM: [ ]