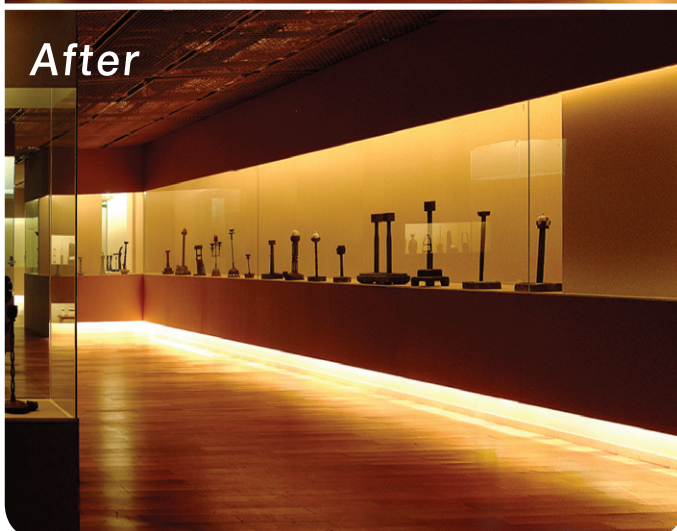
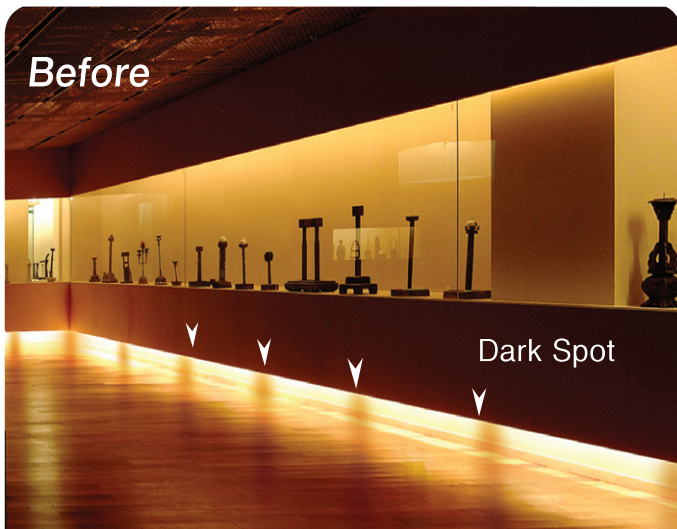
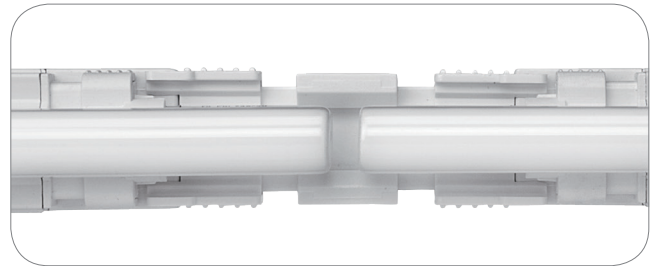


SlimLine

T5 Seamless Illumination



SlimLine

SlimLine is an exclusively designed lamp by Feelux. A dream come true for interior designers who utilize T5 fluorescent fixtures, the SlimLine is the solution for seamless lighting. Featuring a linear lighting fixture casting a clean, continuous light without dark spots, there are currently no other similar concepts in the current market.

Product Features

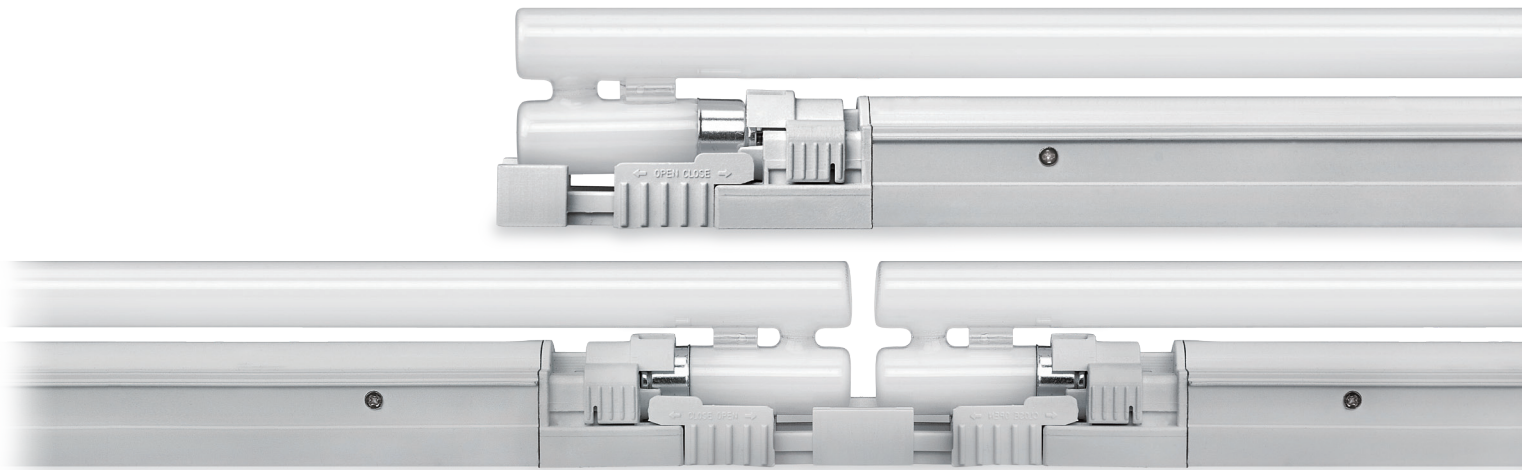
- Built in electronic ballast
- Allows easy connection, saves installation time
- Rigid aluminum extruded body and snap-in mounting brackets.
- Remote ballast optimized for SlimLine tube is available.

Benefits

- Dark spot free at the linked site with innovative lamp
- Unique design concept to accommodate the newly-developed lamps
- Extremely bright with T5 HO ballast
- Instant on starting, quiet and flicker free
- Protection from lamp End of Life(EOL), no load, over load, and cross wiring.
- Satisfy world class standard, CE certified and UL listed.

Specification

- Frequency range : 50/60Hz
- Voltage : 220~240V, 110~130V
- Power factor : >97%
- Color rendering : Ra>80
- A-thd : <15%
- EMI test : EN55015
- Class of protection II
- Degree of protection IP20



Notice

- Max. connection : 600W
- 14W(42pcs), 21W(28pcs), 28W(21pcs), 24W(25pcs), 39W(15pcs), 54W(11pcs)

Accessories

Ⓐ Connecting cables

SLLPTC	SLLPTC 1	SLLPTC 2	SLLPTC 4	SLLPTC 6
150mm(6inch)	300mm(1feet)	600mm(2feet)	1200mm(4feet)	1800mm(6feet)

Ⓑ Direct connector : SLLCPL

Ⓒ Power cord

SLLPC230	SLLPC230/H	SLLPC230/V
General type	Horizontal type	Vertical type

Ⓓ Fluorescent lamps

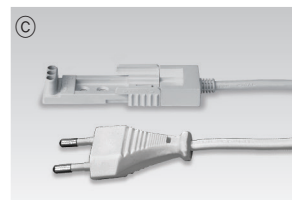
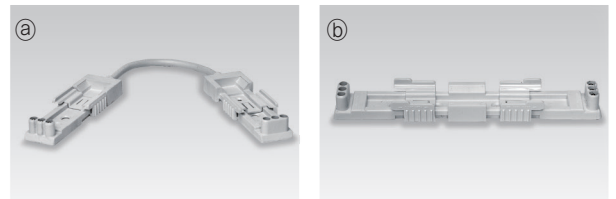
2200K, 2700K, 3000K, 3500K, 4000K, 6500K, 8000K, Red, Green and Blue are available.

Ⓔ Diffuser

SLL14CV	SLL21CV	SLL28CV
14, 24W	21, 39W	28, 54W

Ⓕ End Cap : SLL-CAP

Model Name	Lamp Power (mm)	A (mm)	B (mm)	C (mm)	D (mm)	E (mm)
SLL8AB23NN	8	352	266.5	44.3	26.6	34
SLL14AB23NN	14	582	496.5	44.3	26.6	34
SLL21AB23NN	21	882	796.5	44.3	26.6	34
SLL28AB23NN	28	1182	1096.5	44.3	26.6	34
SLL35AB23NN	35	1402	1316.5	44.3	26.6	34
SLL24AB23NN	24	582	496.5	44.3	26.6	34
SLL39AB23NN	39	882	796.5	44.3	26.6	34
SLL54AB23NN	54	1182	1096.5	44.3	26.6	34
SLL49AB23NN	49	1402	1316.5	44.3	26.6	34
SLL80AB23NN	80	1402	1316.5	44.3	26.6	34



SLLPC230

SLLPC230/H

SLLPC230/V

