

# Technical Data

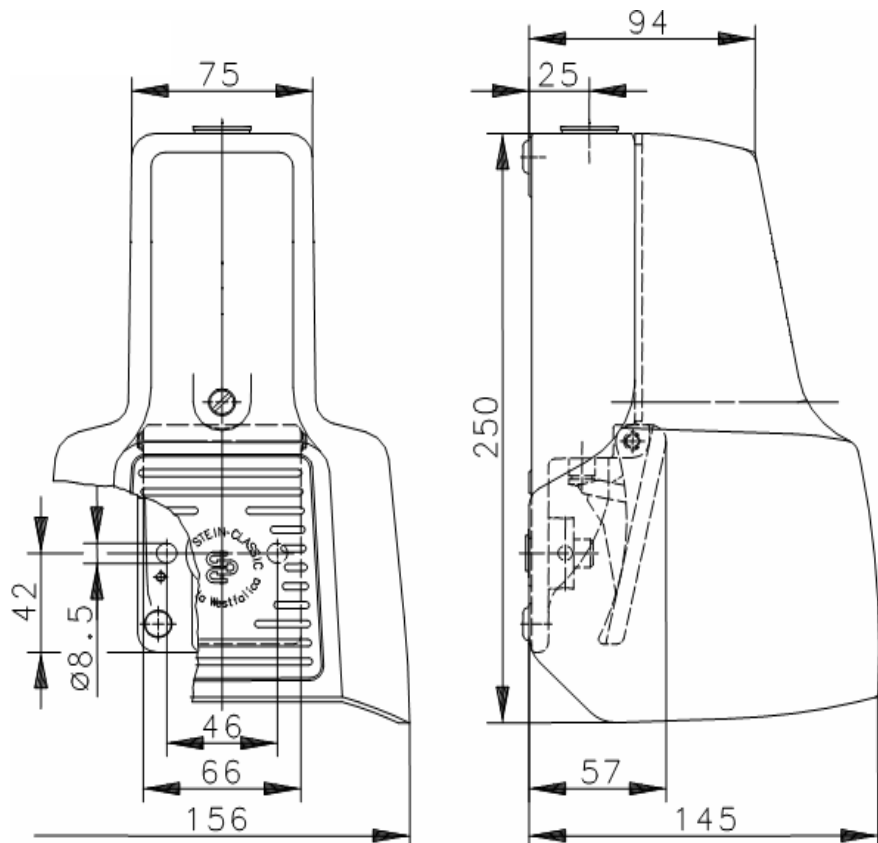
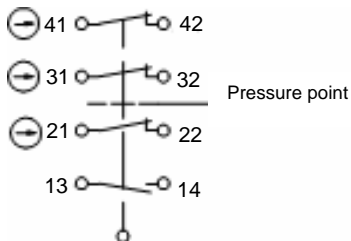
## Foot-switch

### Series F1 UN

Description **F1-U1Z/A2ZD UN**

Article number **6161000736**

#### Switching symbol



#### Electrical data

Rated insulation voltage	$U_i$	400 V AC
Conv. thermal current	$I_{the}$	10 A
Rated operational voltage	$U_e$	240 V
Utilization category		AC-15, $U_e/I_e$ 240 V / 3 A
Direct opening action	⊖	according to IEC/EN 60947-5-1, Annex K
Short-circuit protective device		Fuse 2 A gG
Protection class		I

This document will not become the contractual basis; the details included herein do not constitute any descriptions of expected conditions, so that warranties/claims for defects on account of possible variations of the actual qualities from the qualities described herein are explicitly excluded. All rights reserved. Specifications subject to change without notice!

Date of issue: 21.02.2013 / Page 1 of 2  
Document: 6161000736\_en / Status: 1 / 2133-13

# Technical Data

## Foot-switch

### Mechanical data

Enclosure	AL, die-cast
Protective guard (Accident protection cover UN)	AL, die-cast
Actuator	Foot lever (PA)
Ambient air temperature	-30 °C to +80 °C
Contact type	3 N.C, 1 N.O. (Zb)
Contacts	fine gold-plated (Our guideline values are valid for the gold-plated switch contacts.)
Operating force	with pressure point
Mechanical life	1x10 <sup>6</sup> operating cycles
Switching frequency	Max. 30/min
Assembly	2 x M8
Connection	8 screw terminals (M3.5)
Number of connections	8
Protection ground	2 x M4
Conductor cross-sections	Solid: 0.5 ... 1.5 mm <sup>2</sup> Litz wire with ferrules: 0.5 ... 1.5 mm <sup>2</sup>
Cable entrance	1 x M20 x 1,5
Weight	Approx. 1,5 kg
Protection type	IP65 in accordance with IEC/EN 60529

### ID for safety engineering

B10d - value	2 x 10 <sup>6</sup> switching cycles
--------------	--------------------------------------

### Regulations

VDE 0660 T100, DIN EN 60947-1, IEC 60947-1
VDE 0660 T200, DIN EN 60947-5-1, IEC 60947-5-1

### EU Conformity

acc. to directive 2006/95/EC
------------------------------

### Notes

The degree of protection specified (IP code) applies only to a properly closed protective guard, the use of an equivalent cable gland with adequate cable and equivalent internals in the protective guard.