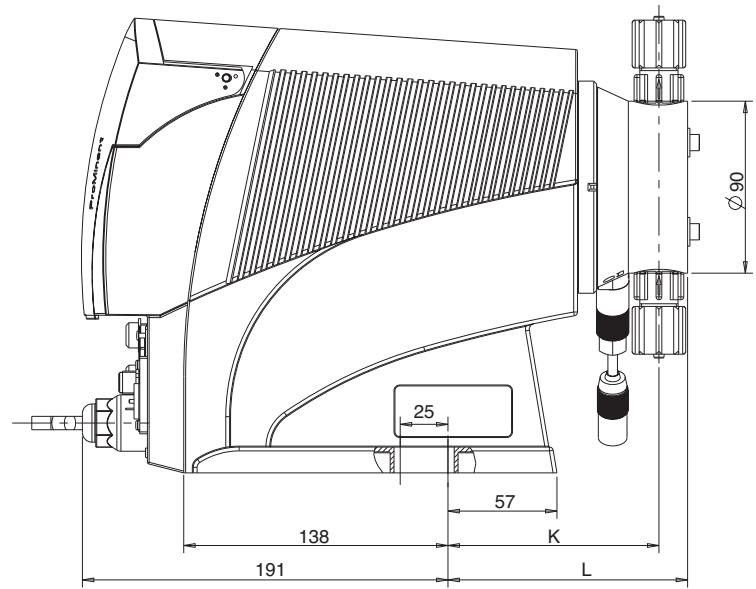
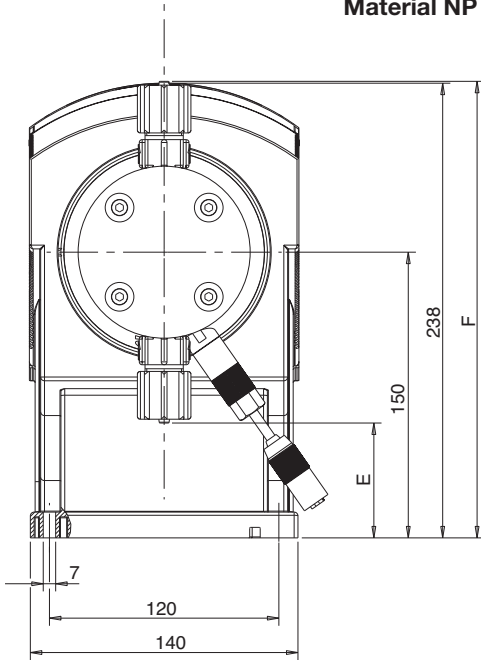


Dimension sheet delta® type without vent valve
Material NP

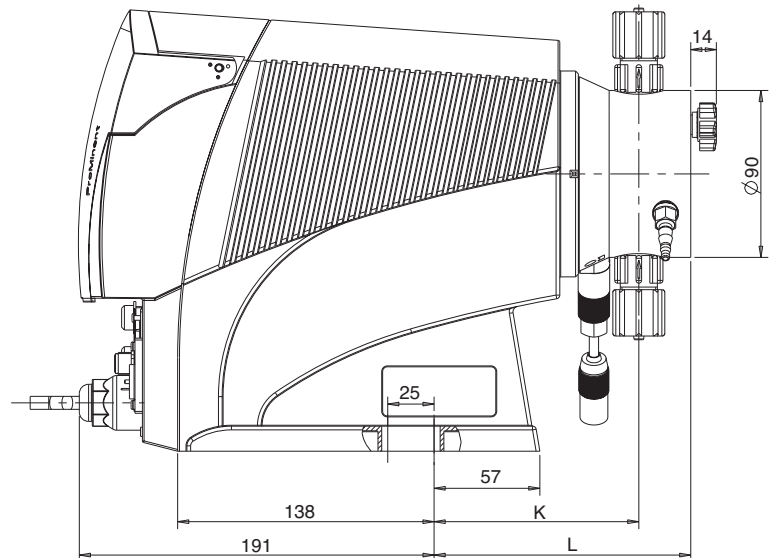
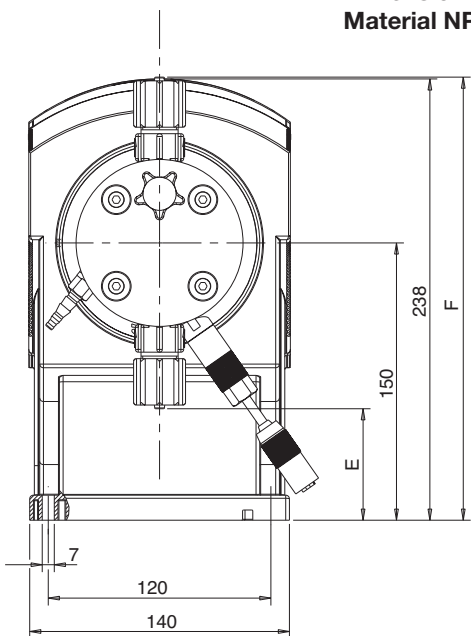


(dimensions in mm)

60_07_101_00_55_73

	2508 / 1608	1612	1020	0730
E	63	60	54	53
F	235	239	245	246
K	110	110	112	112
L	125	125	127	127

Dimension sheet delta® type with vent valve
Material NP

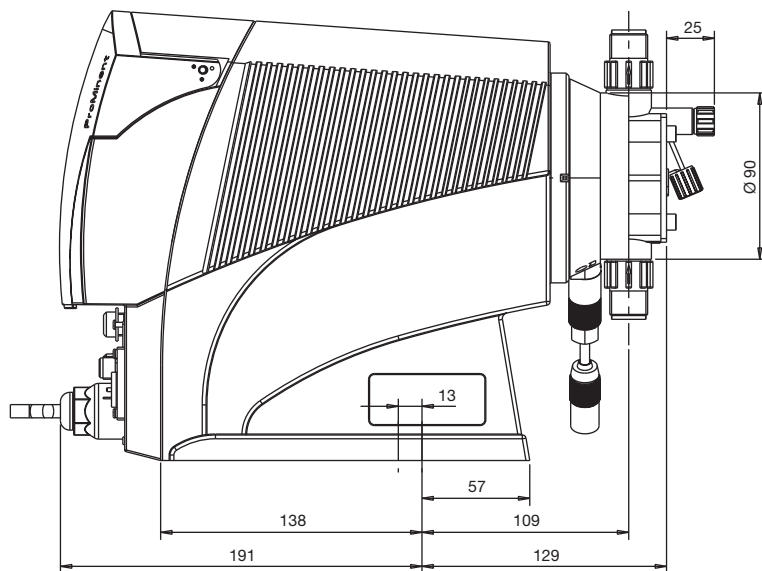
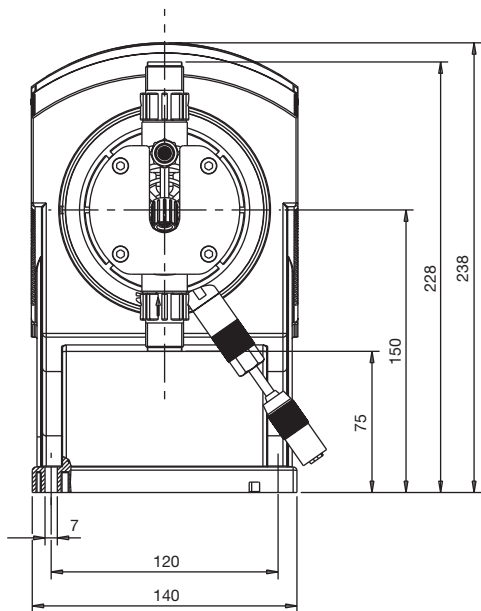


(dimensions in mm)

60_07_101_00_54_73

	2508 / 1608	1612	1020	0730
E	63	60	54	53
F	235	239	245	246
K	110	110	112	112
L	138	138	140	140

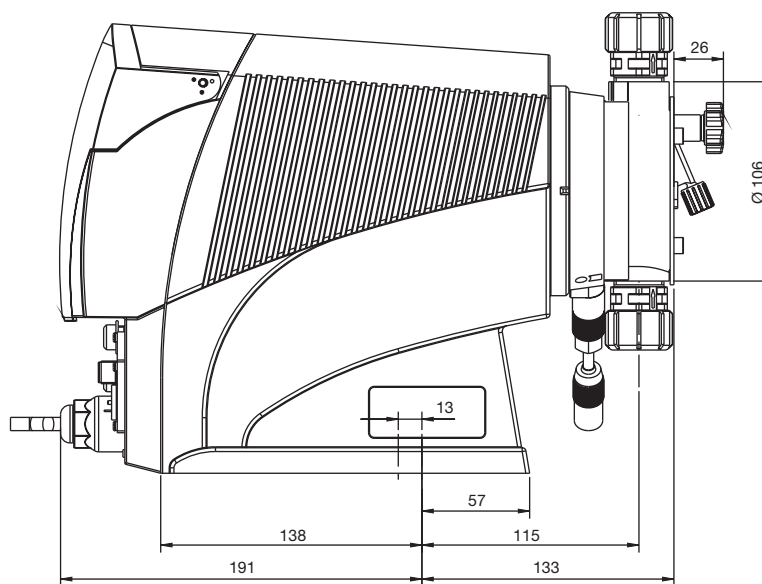
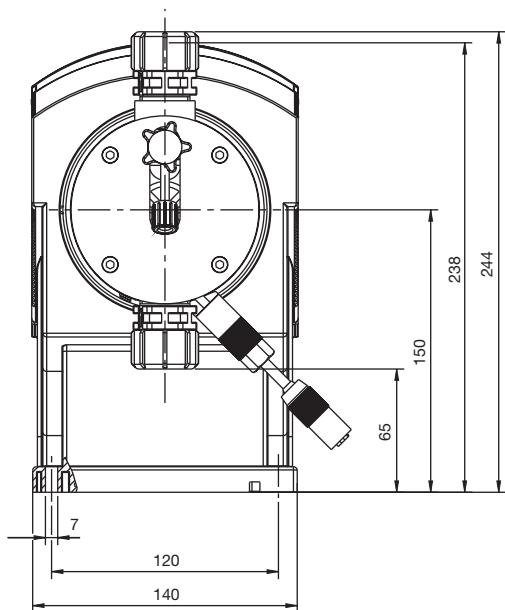
Dimensions of delta® type 1612 - 0730
Material PV



(dimensions in mm)

60_07_101_00_47_73

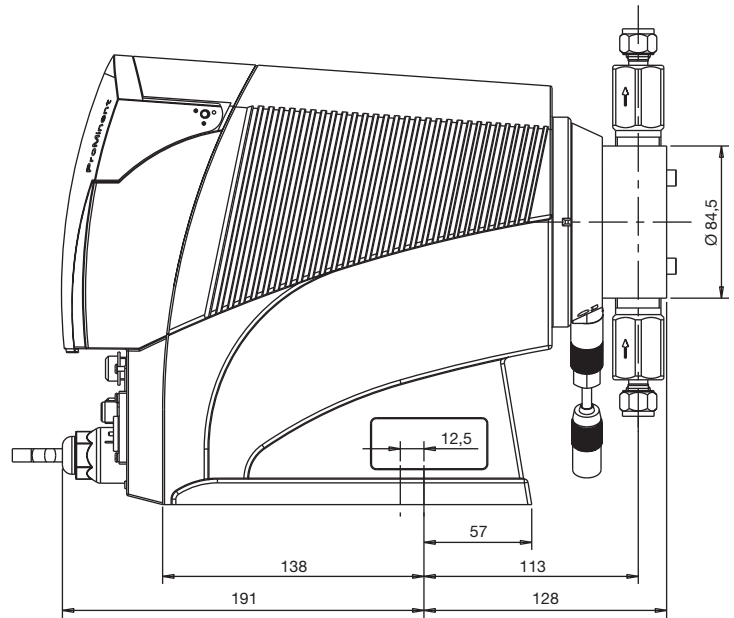
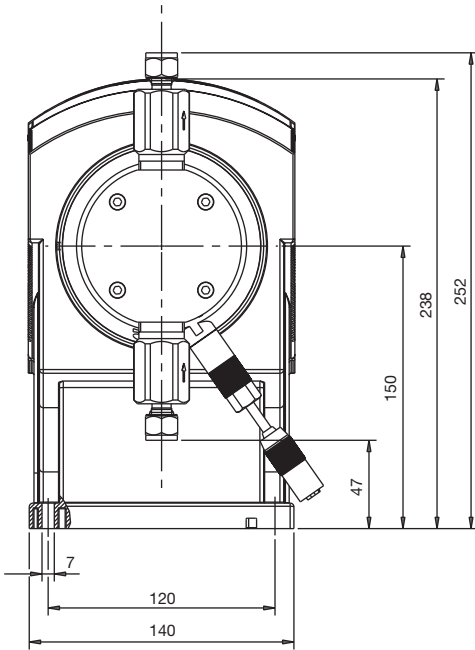
Dimensions of delta® type 0450 - 0280
Material PV



(dimensions in mm)

60_07_101_00_48_73

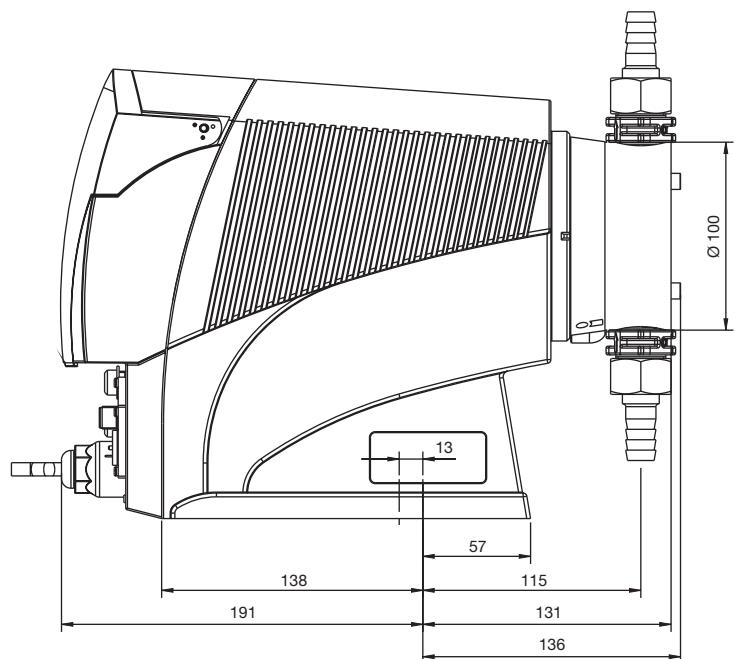
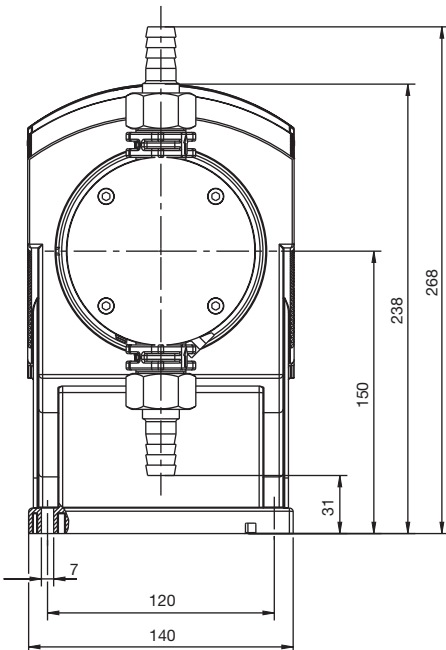
Dimensions of delta® type 1612 - 0730
Material SS



(dimensions in mm)

60_07_101_00_49_73

Dimensions of delta® type 0450 - 0280
Material SS



(dimensions in mm)

60_07_101_00_46_73